

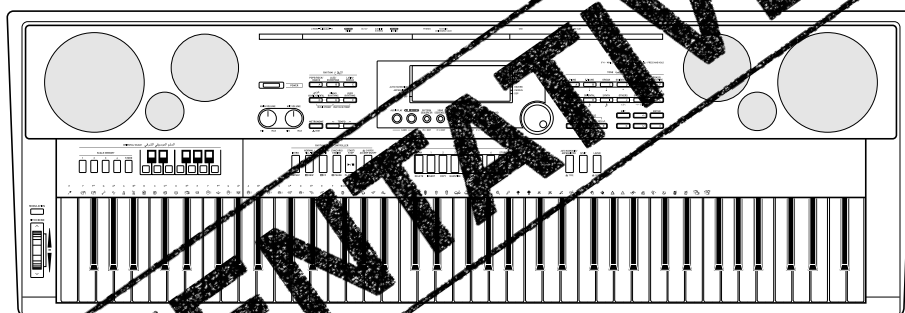
CASIO®

SERVICE MANUAL & PARTS LIST

(without price)

AT-5

NOV. 2010



AT-5

ELECTRONIC KEYBOARD

CONTENTS

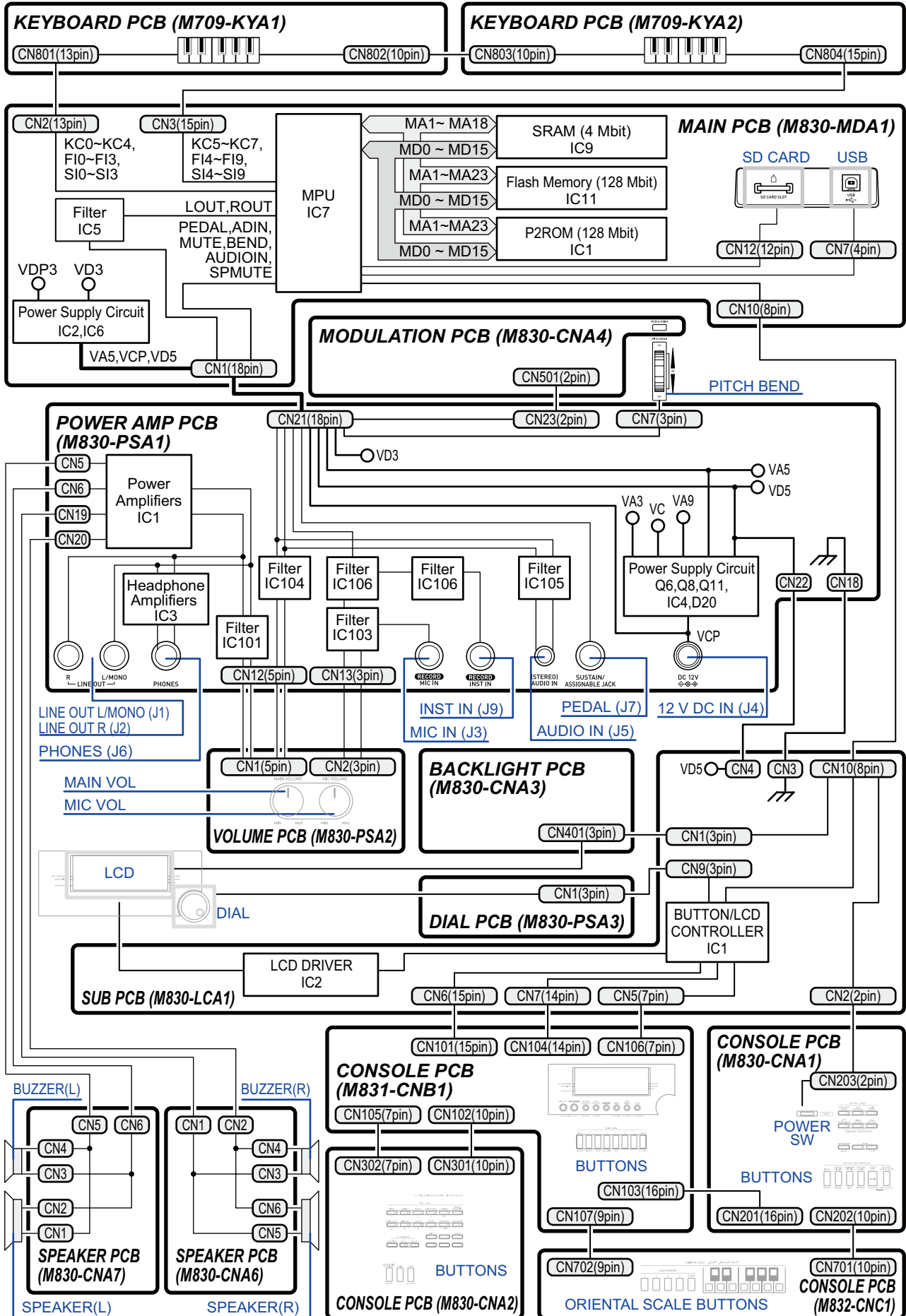
SPECIFICATIONS.....	1
BLOCK AND WIRING DIAGRAM	3
PCB INFORMATION	4
CIRCUIT DESCRIPTION	5
PRINTED CIRCUIT BOARDS.....	7
EXPLODED VIEW.....	13
PARTS LIST	14
SCHEMATIC DIAGRAMS.....	19

SPECIFICATIONS

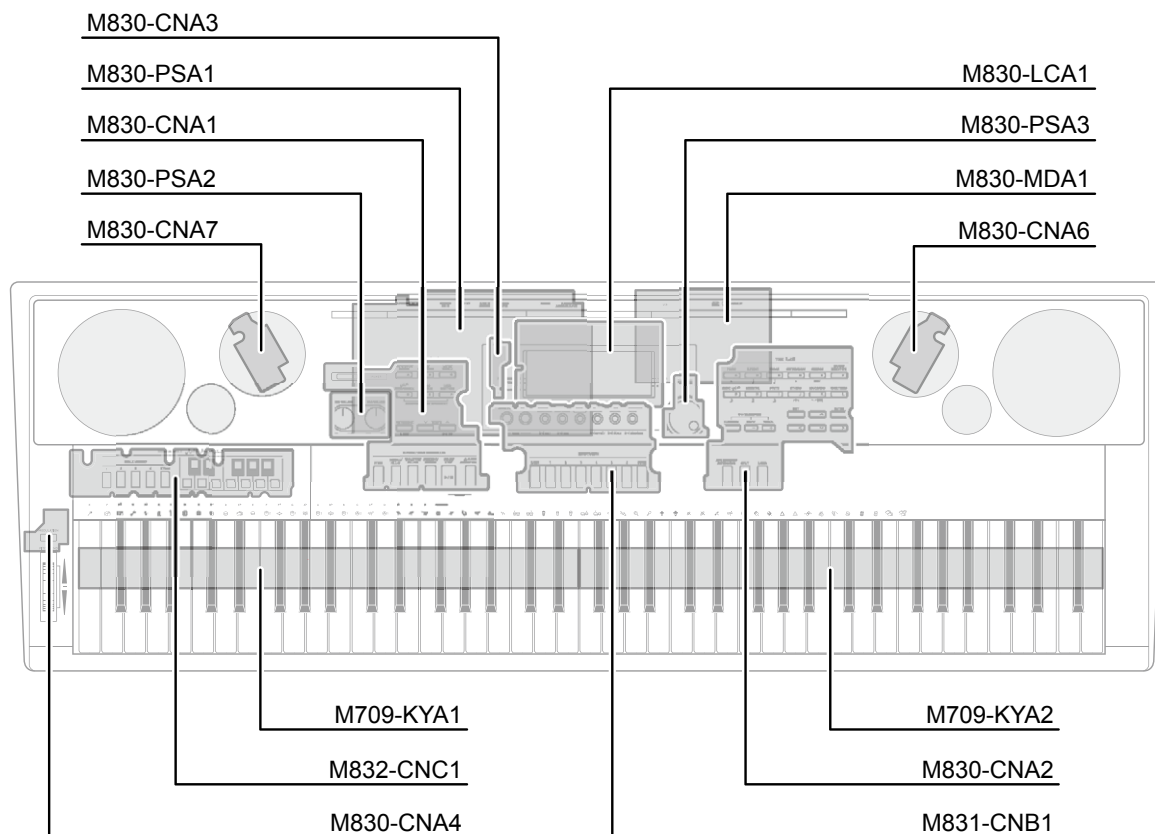
Keyboard	76 standard-size keys
Touch Response	2 types, Off
Maximum Polyphony	64 notes (32 for certain tones)
Tones	
Built-in Tones	800
User Tones	Up to 100 (Tone Editor)
Functions	Layer, Split
Reverb	1 to 10, Off
Chorus	1 to 5
DSP	
Preset DSP	100
User DSP	Up to 100
Oriental Scale	
Scale Fine Tune	±99 cents
Preset Scales	17
Scale Memory	4
Metronome	
Beats per Measure	0, 2 to 6
Tempo Range	30 to 255
Auto Accompaniment	
Built-in Rhythms	250
User Rhythms	Up to 100 (Pattern Sequencer)
Demo Songs	5 songs
Registration	96 (6 setups × 16 banks)
Song Sequencer	Real-time recording, playback Punch-in recording
Keyboard Play	5 songs, 17 tracks
Memory Capacity	Approximately 30,000 notes (total for 5 songs)
Audio Recording and Playback Functions	
Requirement	An SD or SDHC memory card, 2 GB to 32 GB
Recording	Recording of keyboard play, song sequencer song playback, sound input from MIC IN jack and INST IN jack Up to 5 audio files (maximum recording time: approximately 13 minutes for a single audio file)
Playback	Up to 999 files (including files used for recording)
Mixer	32 parts (A01-A16/B01-B16) Master parameters, DSP parameters, Part parameters, MIC/INST parameters

Other Functions	
Transpose	±1 octaves (-12 to +12 semitones)
Octave Shift	UPPER 1/UPPER 2/LOWER ±2 octaves
Tuning	A4 = 415.5 - 440.0 - 465.9 Hz
Music Preset	305 built-in, plus 100 user presets
One Touch Preset	250
Auto Harmonize	12 types
Arpeggiator	150 types
MIDI	16 multi-timbre received, GM Level 1 standard
Pitch Bend Wheel	
Pitch Bend Range	0 to 12 semitones
Memory Cards	
Supported Memory Cards	SD or SDHC memory cards, 2 GB to 32 GB
Functions	SMF playback, file storage, file recall, file delete, card format
Inputs/Outputs	
USB port	TYPE B
Sustain/Assignable jack	Standard jack (sustain, sostenuto, soft, start/stop)
Phones jack	Stereo standard jack
Line Out R, L/MONO jacks	Standard jack × 2
Audio In jack	Output Impedance: 2.3 kΩ, Output Voltage: 1.5 V (RMS) MAX Stereo mini jack
Inst In Jack	Input Impedance: 9 kΩ, Input Sensitivity: 200 mV Standard jack
Mic In jack	Input Impedance: 9 kΩ, Input Sensitivity: 200 mV Standard jack (connect a dynamic microphone only) Input Impedance: 3 kΩ, Input Sensitivity: 10 mV
Power Jack	12 V DC
Power Supply	2-way
Batteries	6 D-size zinc-carbon batteries or alkaline batteries
Battery Life	Approximately 4 hours continuous operation on alkaline batteries
AC Adaptor	AD-A12150LW
Auto Power Off	Approximately 6 minutes after last key operation during battery use, approximately 4 hours after last key operation during AC adaptor use. Auto Power Off can be disabled.
Speakers	12 cm × 2 + 3 cm × 2 (Output: 7.0 W + 7.0 W)
Power Consumption	12 V --- 18 W
Dimensions	118.7 × 39.9 × 14.9 cm (46 ³ / ₄ × 15 ³ / ₄ × 5 ⁷ / ₈ inch)
Weight	Approximately 8.9 kg (19.6 lbs) (without batteries)

BLOCK AND WIRING DIAGRAM



PCB INFORMATION



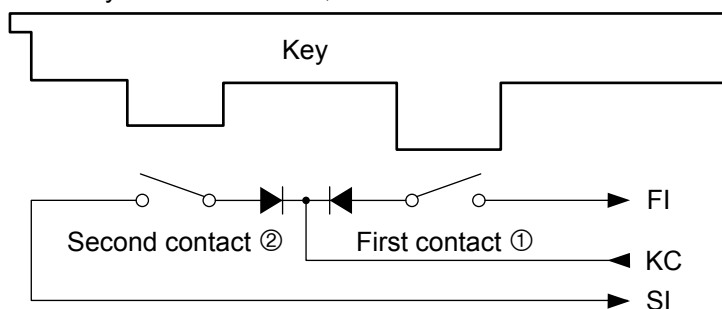
Classification	Parts Name	PCB Name	Components
Main PCB	PCB UNIT / MDA1	M830-MDA1	MPU, Power Supply Circuit, SRAM (4 Mbit) Flash Memory (128 Mbit), P2ROM (128 Mbit), Key Controller, SD Card Slot, USB Port
Power Amp PCB	PCB UNIT / POWER AMP	M830-PSA1	Power Supply Circuit, Headphone Amplifiers, Power Amplifiers, PHONES Jack, LINE OUT R, L/MONO Jacks, DC 12 V IN Jack, SUSTAIN/ASSIGNABLE Jack, AUDIO IN Jack, MIC IN Jack, INST IN Jack
Sub PCB	BACK LIGHT ASSY	M830-LCA1	LCD, Button/LCD Controller, LCD Driver
Console PCB	PCB UNIT / CNA1	M830-CNA1	Buttons
		M832-CNC1	
	PCB UNIT / CNA2	M830-CNA2	
	PCB UNIT / CNB1	M831-CNB1	
Modulation PCB	PCB UNIT / CNA4	M830-CNA4	Modulation
Backlight PCB	PCB UNIT / CNA3	M830-CNA3	LCD Backlight
Volume PCB	PCB UNIT / PSA2	M830-PSA2	Main Volume, Mic Volume
Dial PCB	PCB UNIT / PSA3	M830-PSA3	Dial
Speaker PCB	PCB / CNA6	M830-CNA6	Speaker, Buzzer
	PCB / CNA7	M830-CNA7	
Keyboard PCB	PCB UNIT / KYA	M709-KYA1	Keyboard
		M709-KYA2	

CIRCUIT DESCRIPTION

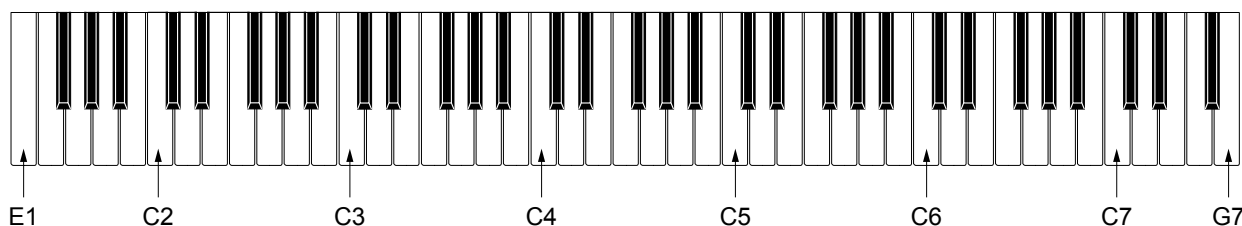
KEY MATRIX

	KC0	KC1	KC2	KC3	KC4	KC5	KC6	KC7
FI0		E1①	F1①	F1#①	G1①	G1#①	A1①	A1#①
SI0		E1②	F1②	F1#②	G1②	G1#②	A1②	A1#②
FI1	B1①	C2①	C2#①	D2①	D2#①	E2①	F2①	F2#①
SI1	B1②	C2②	C2#②	D2②	D2#②	E2②	F2②	F2#②
FI2	G2①	G2#①	A2①	A2#①	B2①	C3①	C3#①	D3①
SI2	G2②	G2#②	A2②	A2#②	B2②	C3②	C3#②	D3②
FI3	D3#①	E3①	F3①	F3#①	G3①	G3#①	A3①	A3#①
SI3	D3#②	E3②	F3②	F3#②	G3②	G3#②	A3②	A3#②
FI4	B3①	C4①	C4#①	D4①	D4#①	E4①	F4①	F4#①
SI4	B3②	C4②	C4#②	D4②	D4#②	E4②	F4②	F4#②
FI5	G4①	G4#①	A4①	A4#①	B4①	C5①	C5#①	D5①
SI5	G4②	G4#②	A4②	A4#②	B4②	C5②	C5#②	D5②
FI6	D5#①	E5①	F5①	F5#①	G5①	G5#①	A5①	A5#①
SI6	D5#②	E5②	F5②	F5#②	G5②	G5#②	A5②	A5#②
FI7	B5①	C6①	C6#①	D6①	D6#①	E6①	F6①	F6#①
SI7	B5②	C6②	C6#②	D6②	D6#②	E6②	F6②	F6#②
FI8	G6①	G6#①	A6①	A6#①	B6①	C7①	C7#①	D7①
SI8	G6②	G6#②	A6②	A6#②	B6②	C7②	C7#②	D7②
FI9	D7#①	E7①	F7①	F7#①	G7①			
SI9	D7#②	E7②	F7②	F7#②	G7②			

Each key has two contacts, the first contact ① and second contact ②.



NOMENCLATURE OF KEYS

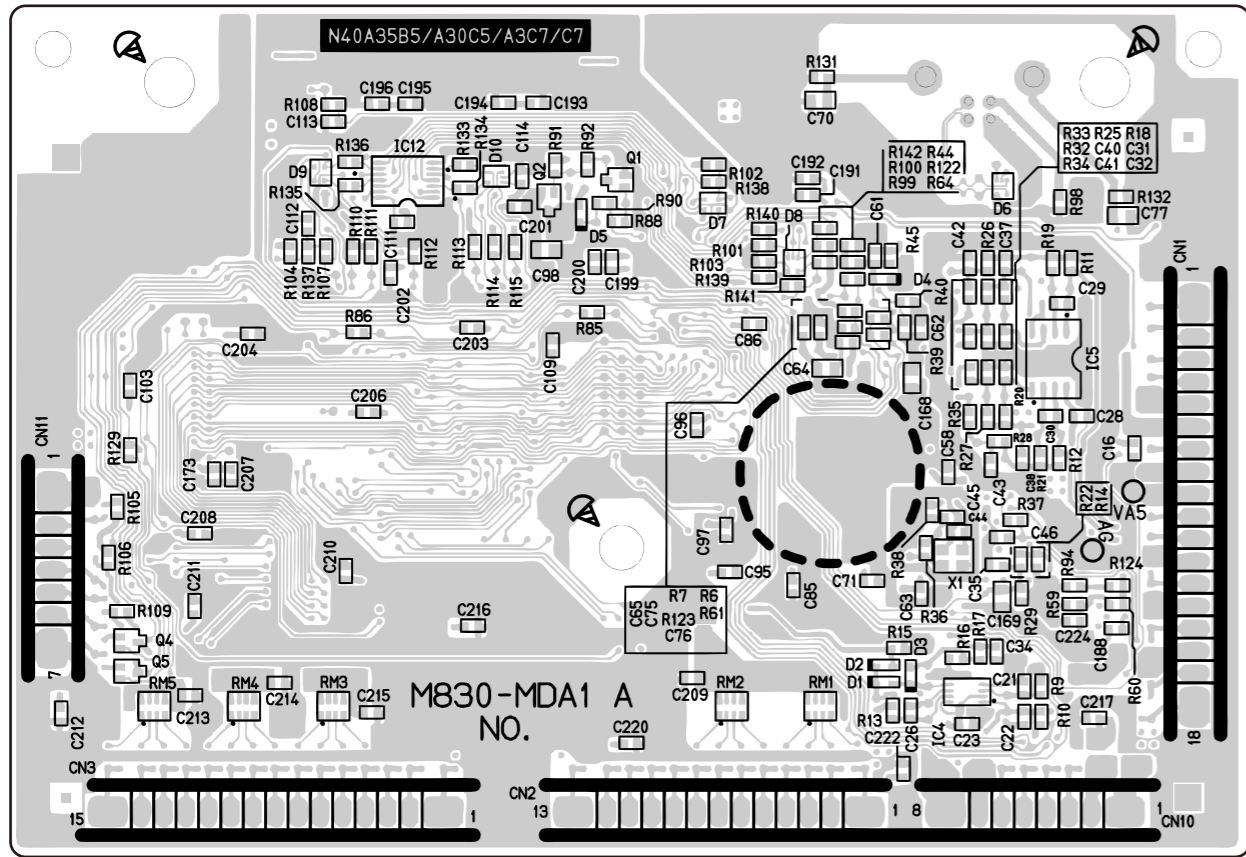


■ BUTTON MATRIX

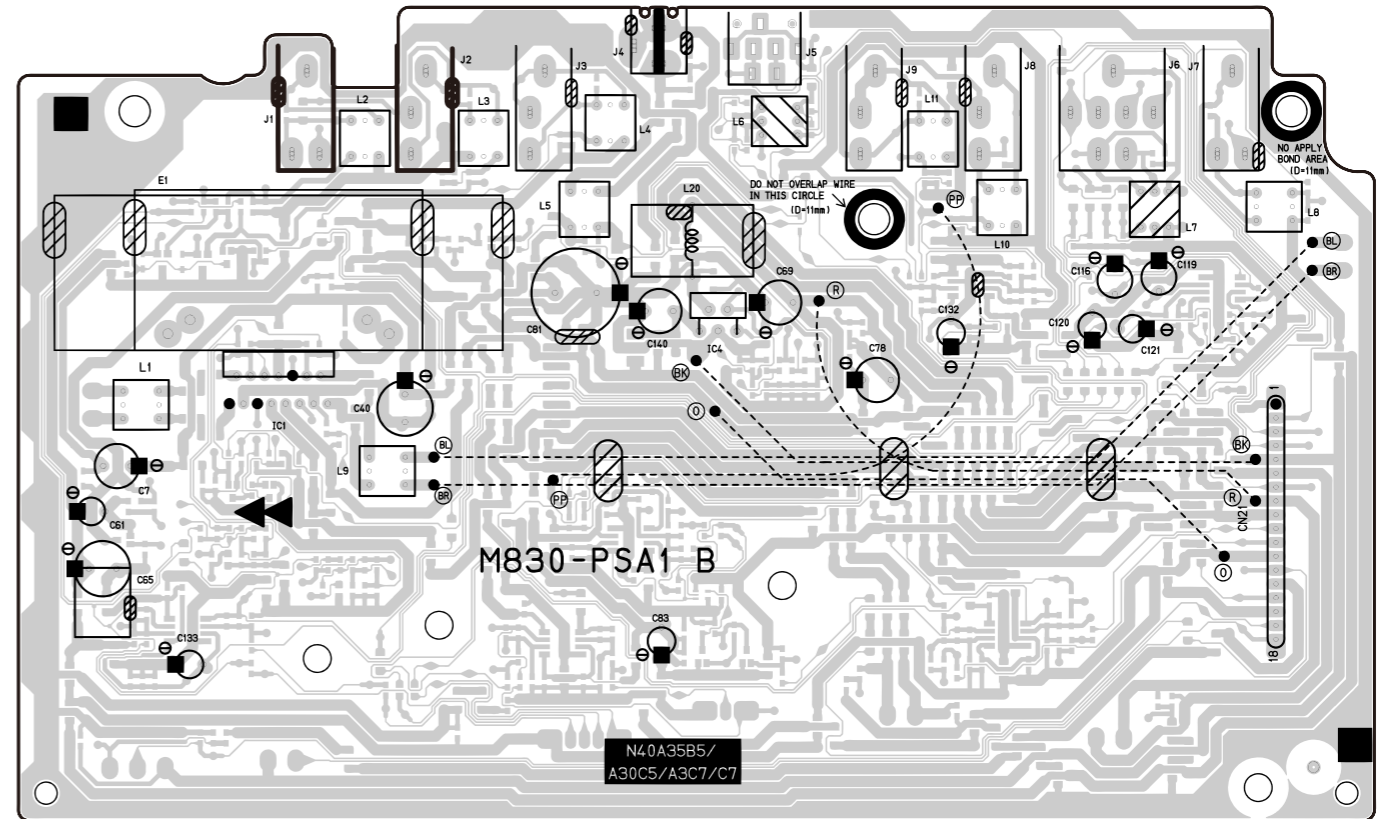
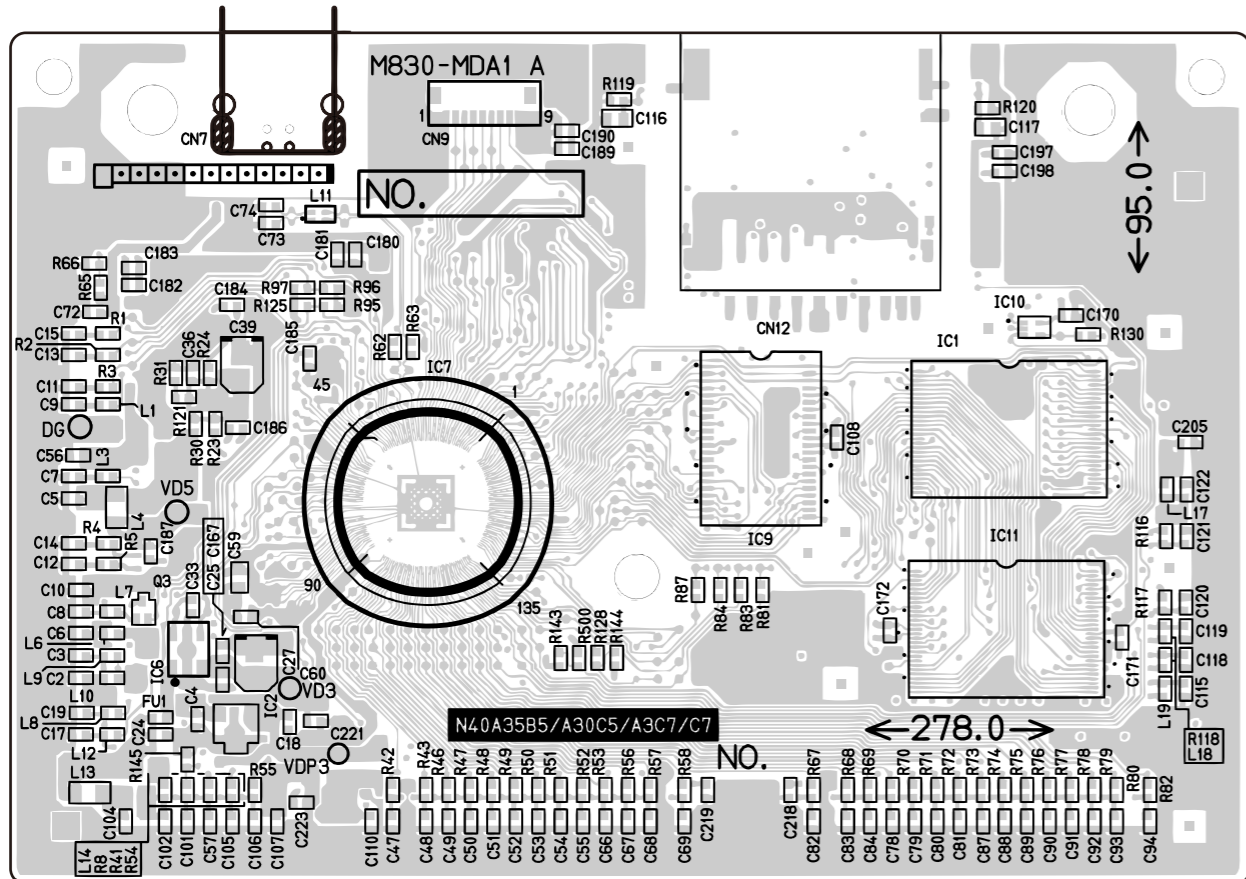
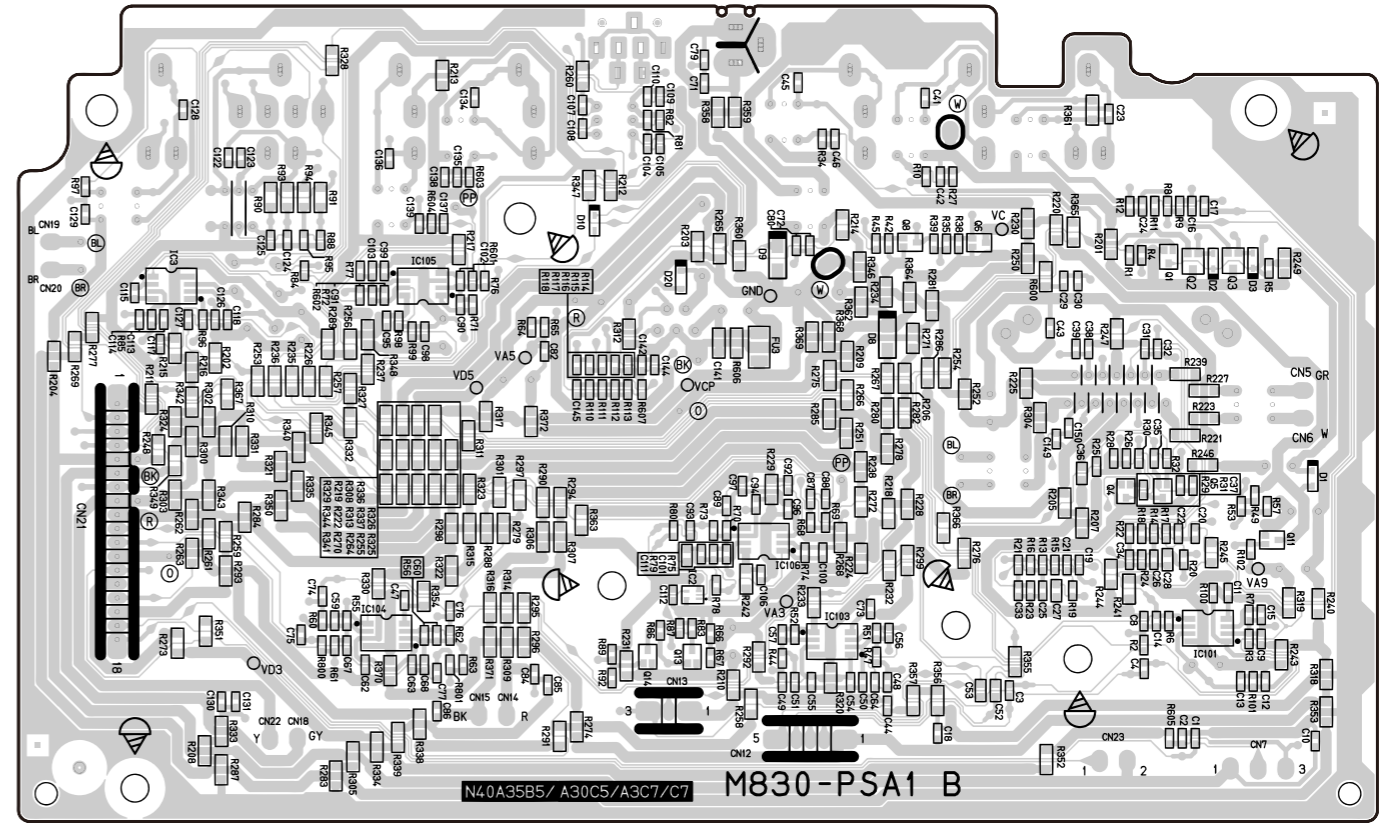
	KC0	KC1	KC2	KC3	KC4	KC5	KC6	KC7	KC8	KC9
KI0	ACCOMP ON/OFF, ↓ CHORDS, PART SELECT, DEMO	VARIATION/ FILL-IN, ▶▶FF	NORMAL/ FILL-IN, ◀◀REW	STORE, (F+)MENU	MIXER, (F+)EFFECT	AUDIO PLAY	AUDIO RECORD	4 (ORIENTAL SCALE)	KEY F#	KEY G
KI1	SYNCHRO/ ENDING, PAUSE	START/ STOP, PLAY/STOP, DEMO	INTRO, REPEAT	BANK, DELETE	SONG SEQUENCER, (F+)EDIT	CARD, (F+) LOAD/SAVE	AUDIO RECORD	3 (ORIENTAL SCALE)	KEY F	KEY E
KI2		tone EDITOR, (F+)SCALE	6	ENTER	▼	>	[F] BRASS/ REED/PIPE	2 (ORIENTAL SCALE)	KEY B ^b	KEY A ^b
KI3	5	4, STEP	PATTERN SEQUENCER, (F+)EDIT	<	EXIT	[E] STRINGS, REST	^	1 (ORIENTAL SCALE)	KEY B	KEY A
KI4	[F] USER RHYTHMS	[C] LATIN/ WORLD	TEMPO ^, (F+)TAP	LAYER, ↓OCTAVE	[L] USER TONES	[K] GM/DRUMS, —(TIE)	[D] GUITAR/ BASS, •		KEY D	KEY C
KI5	TEMPO ▼	[E] PIANO RHYTHMS, ONE TOUCH PRESET	[B] JAZZ/ EUROPEAN	YES/^/+	[I] SYNTH, ♪	[J] OTHERS, r3r	[C] ORGAN, ♪		KEY E ^b	KEY C [#]
KI6	[D] ARABIC/ ORIENTAL, MUSIC PRESET	[A] POPS/ ROCK/ DANCE	METRONOME, ↓BEAT	SPLIT	[H] ORIENTAL, ♪	NO/▼/-	[B] E. PIANO, ♪			STORE (ORIENTAL SCALE)
KI7	3, QUANTIZE	2, COPY	1, INSERT	AUTO HARMONIZE/ ARPEGGIATOR, ↓TYPE	FUNCTION	[G] ARABIC, ♪	[A] PIANO, •			

PRINTED CIRCUIT BOARDS

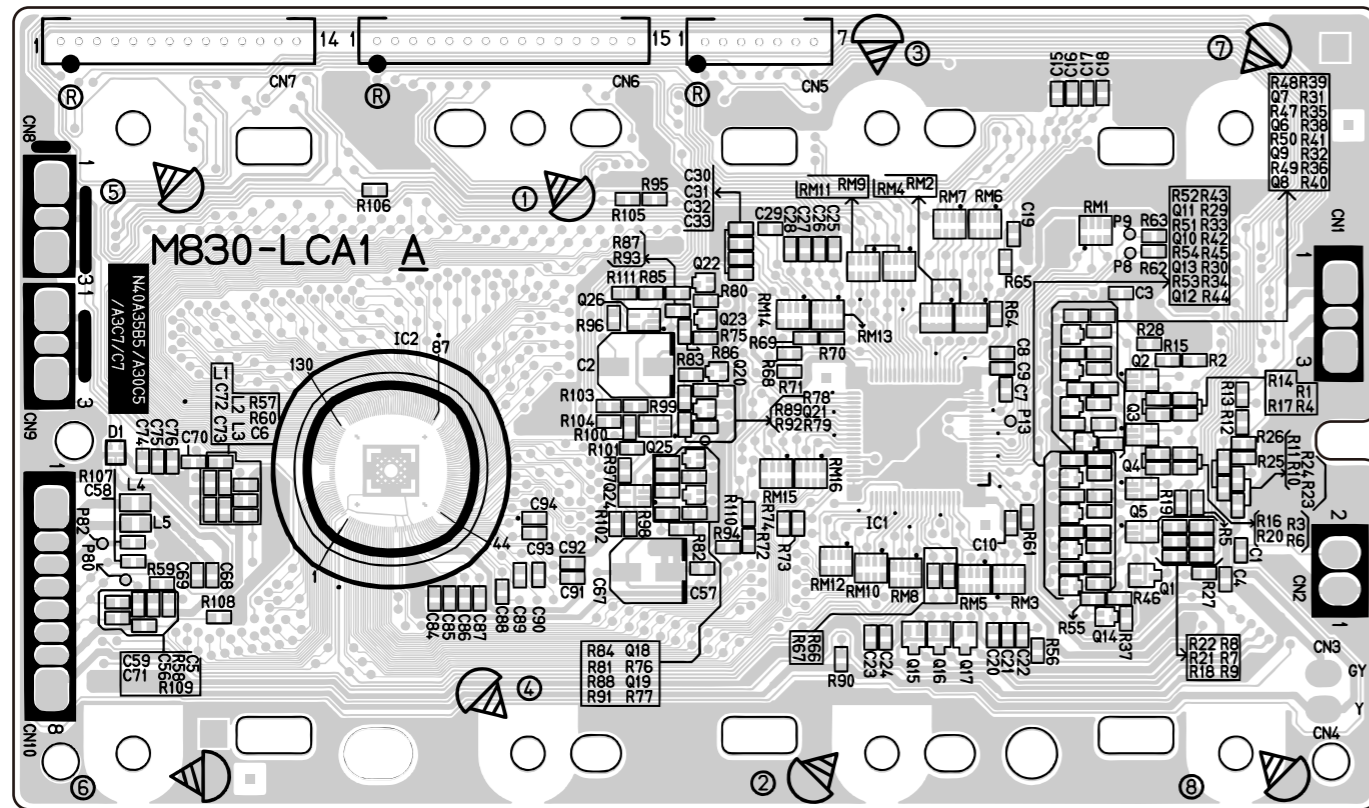
Main PCB: M830-MDA1



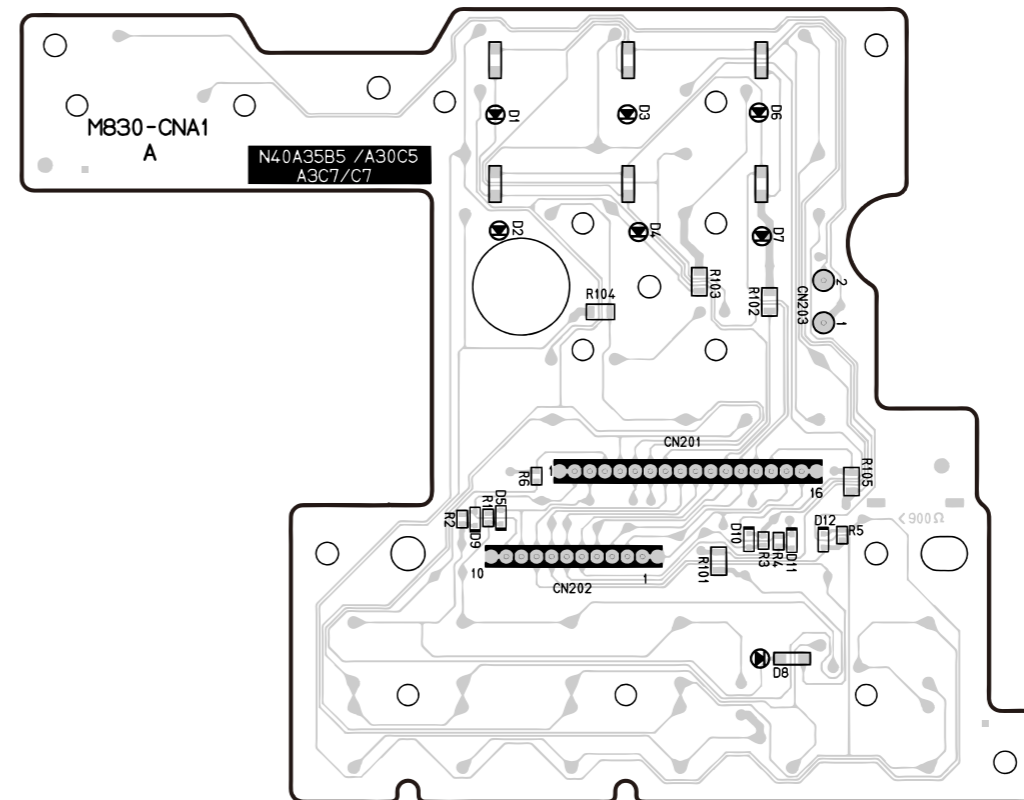
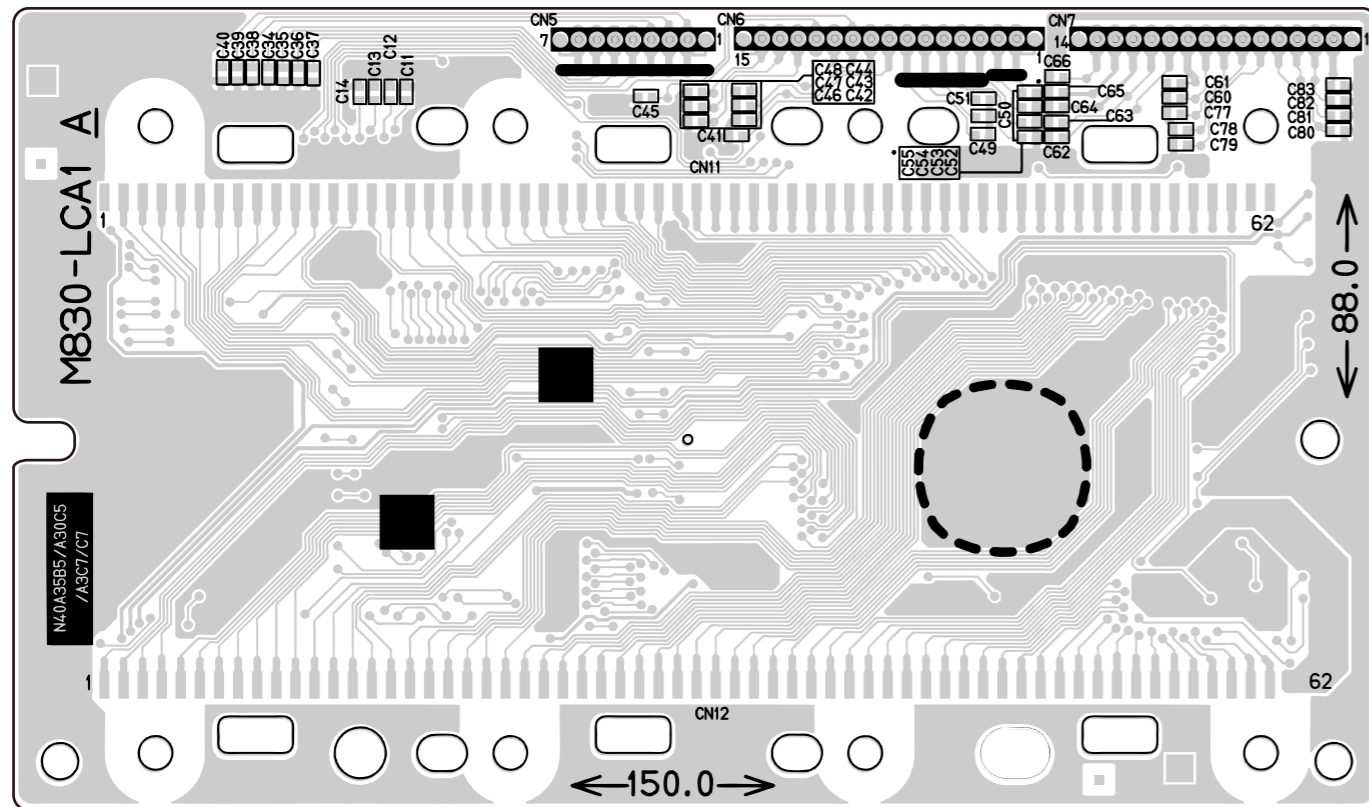
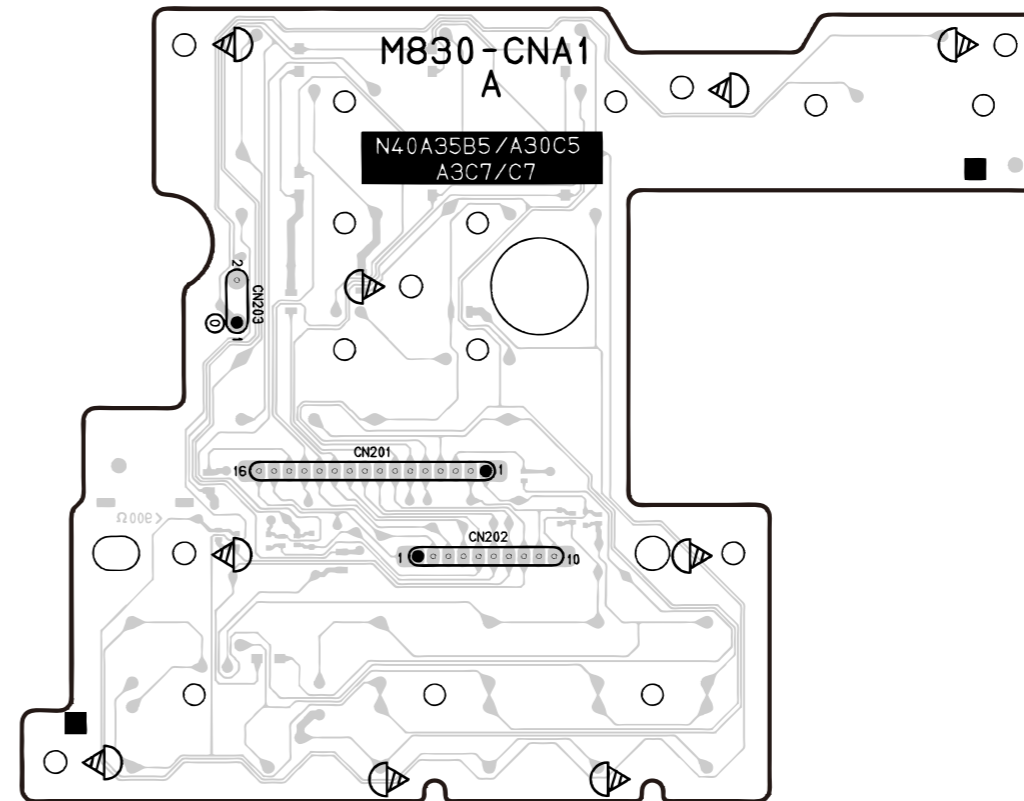
Power Amp PCB: M830-PSA1



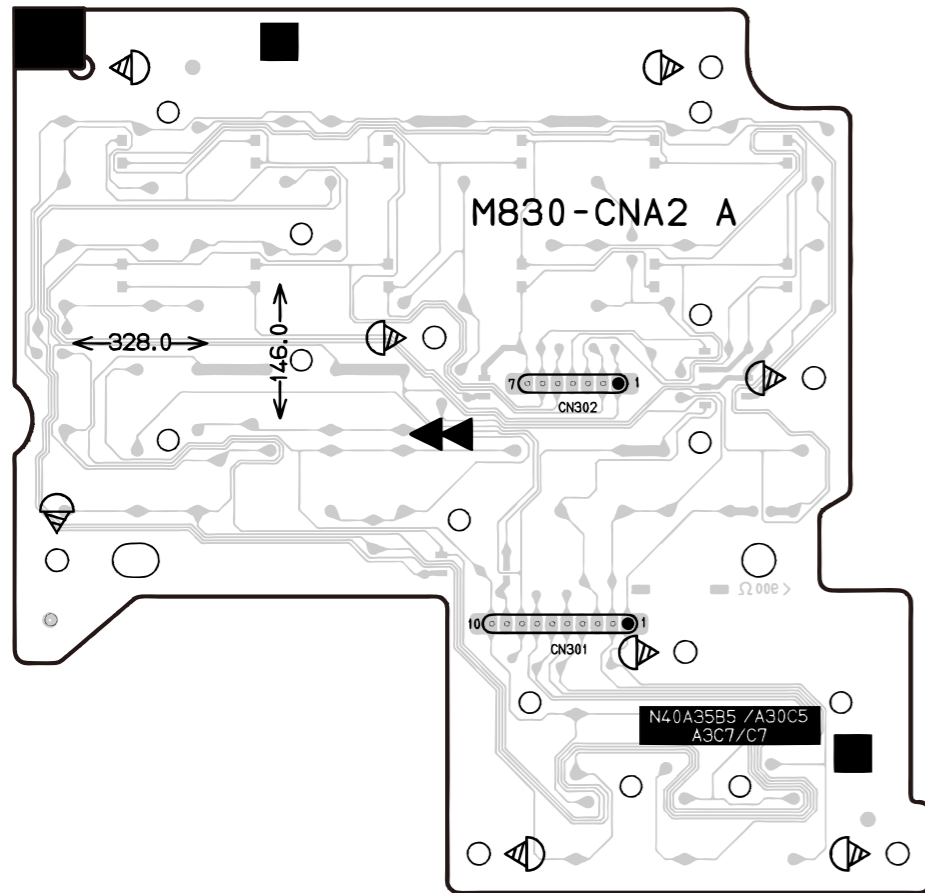
Sub PCB: M830-LCA1



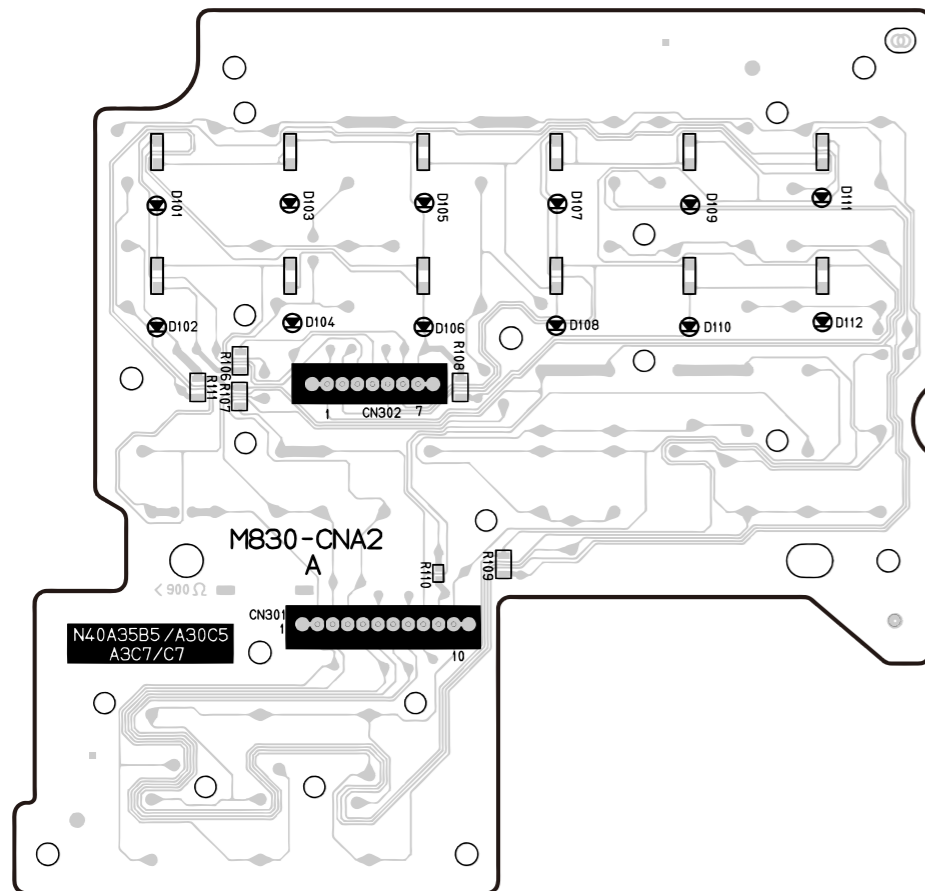
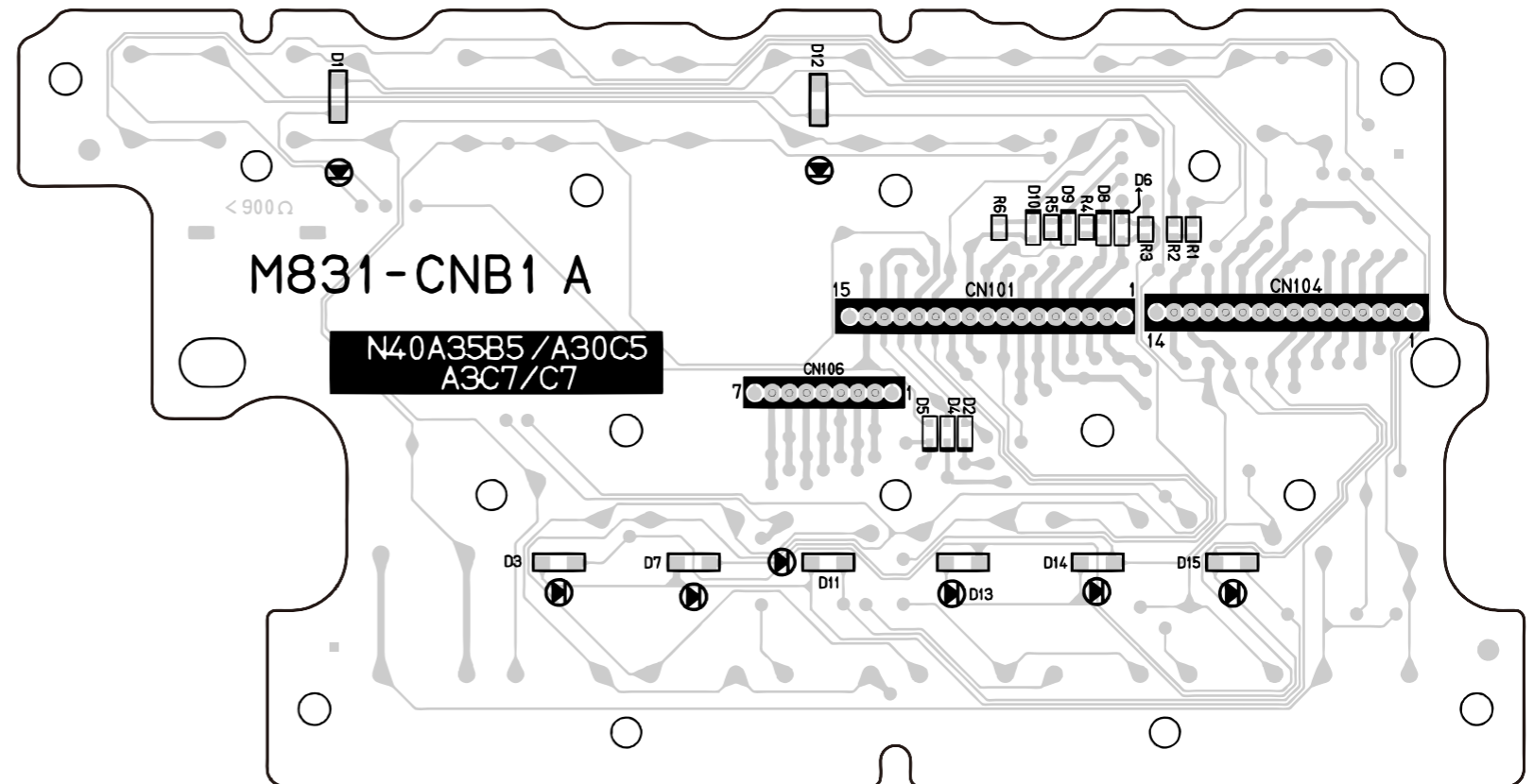
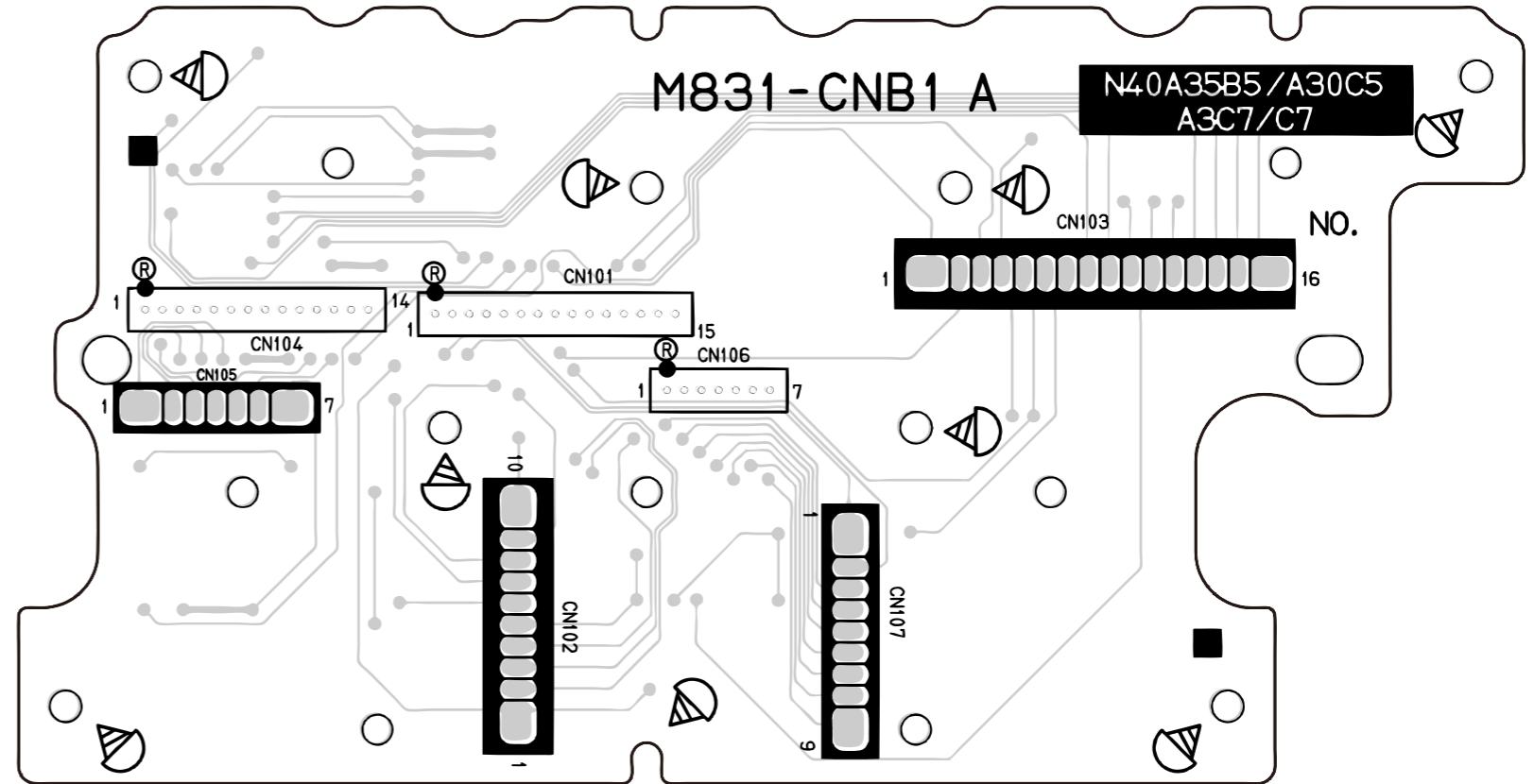
Console PCB: M830-CNA1



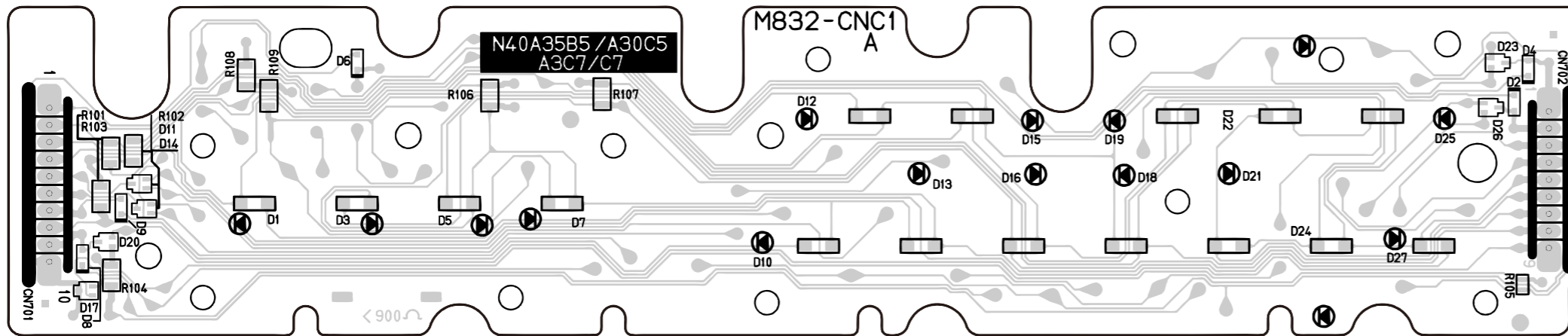
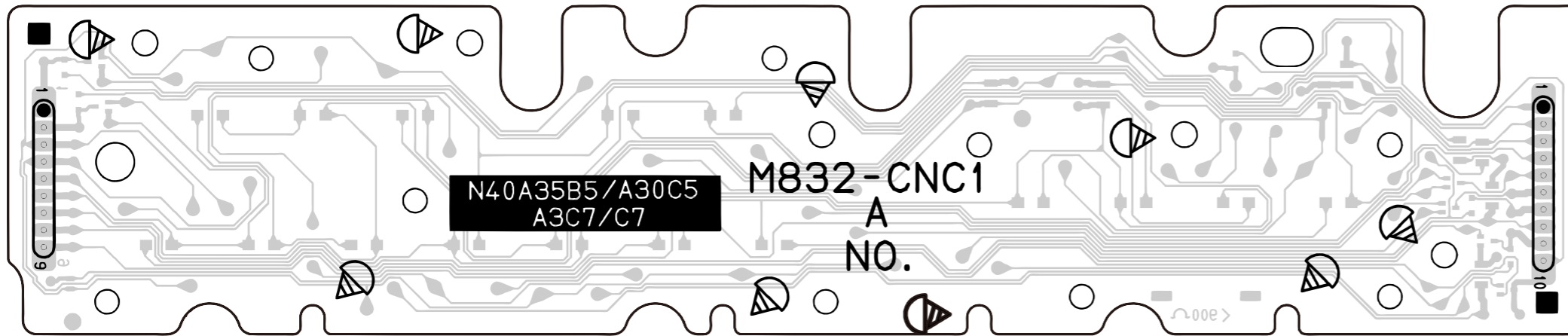
Console PCB: M830-CNA2



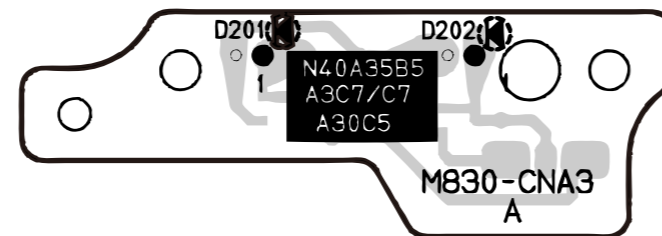
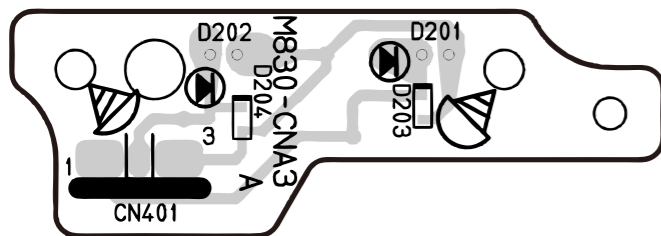
Console PCB: M831-CNB1



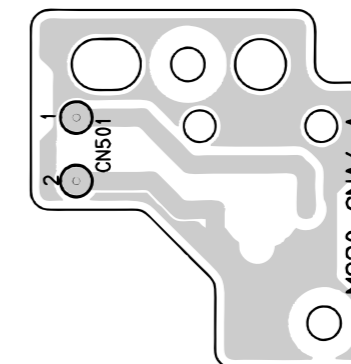
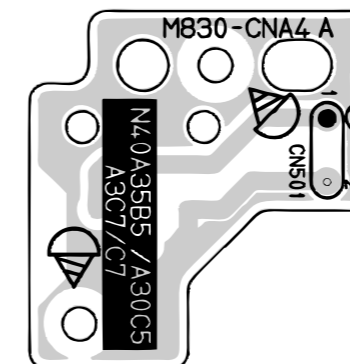
Console PCB: M832-CNC1



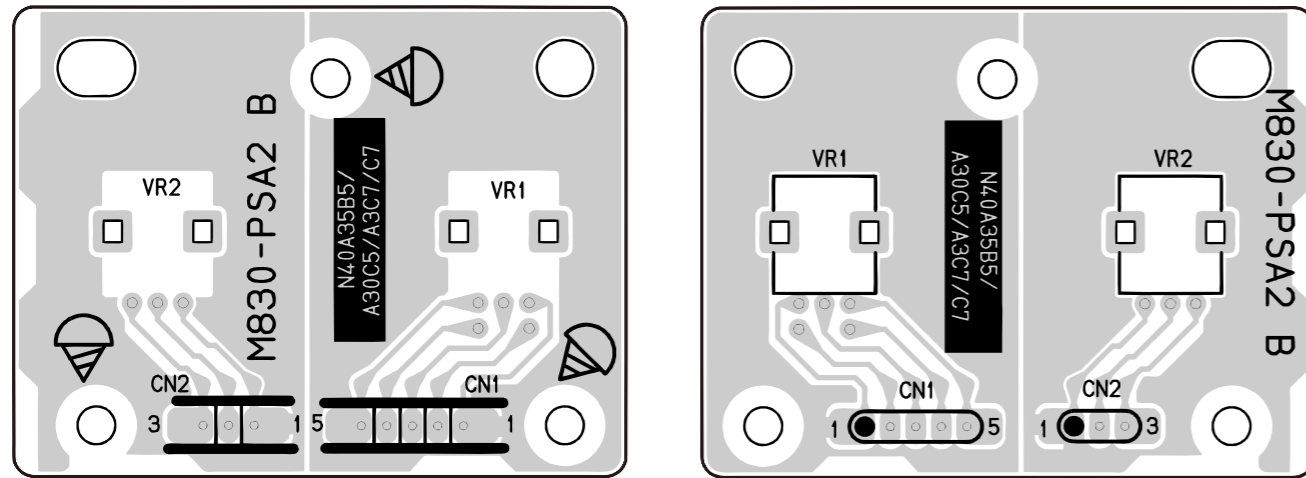
Backlight PCB: M830-CNA3



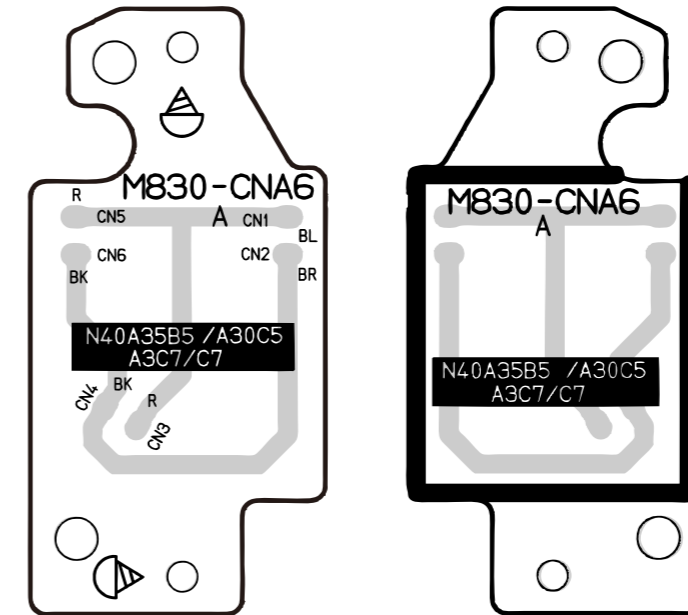
Modulation PCB: M830-CNA4



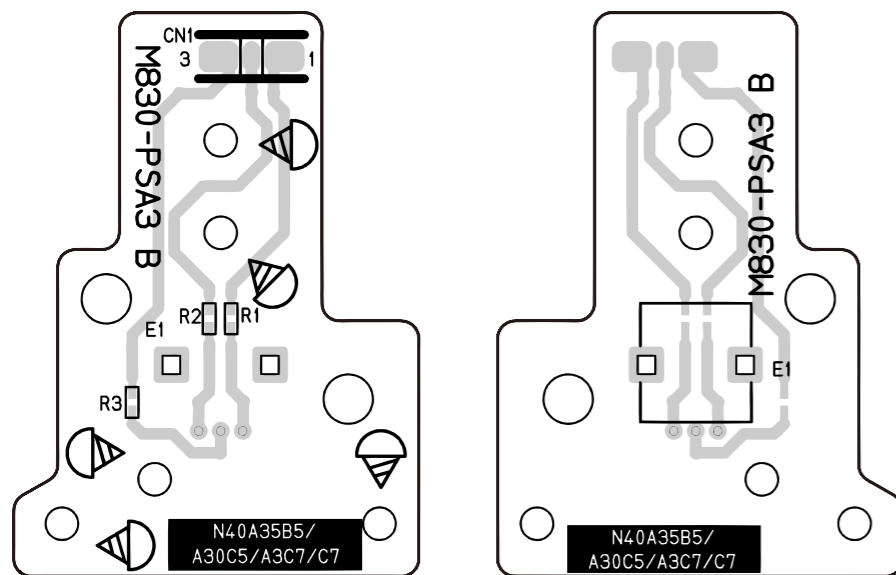
Volume PCB: M830-PSA2



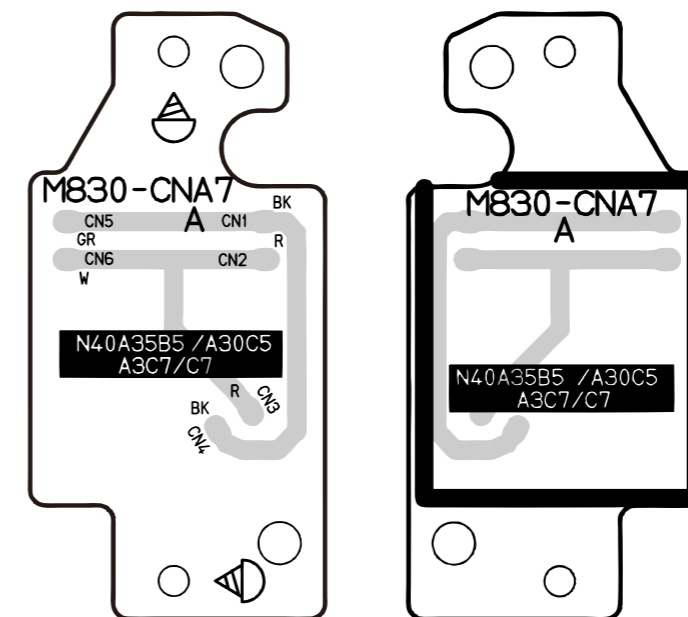
Speaker PCB: M830-CNA6



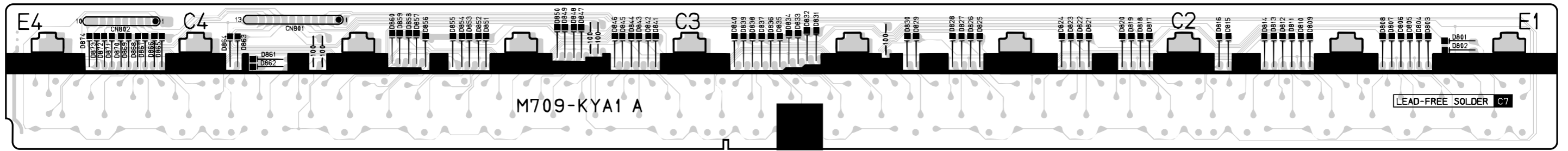
Dial PCB: M830-PSA3



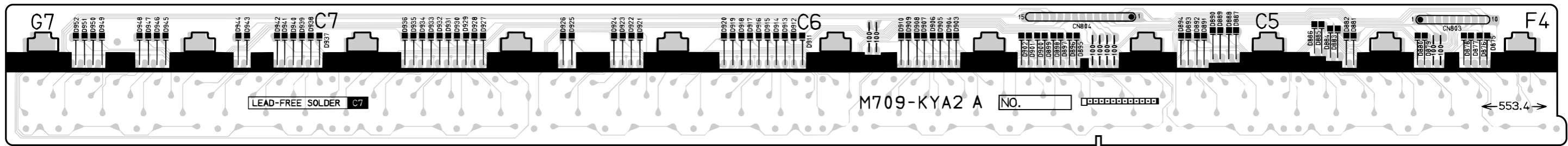
Speaker PCB: M830-CNA7



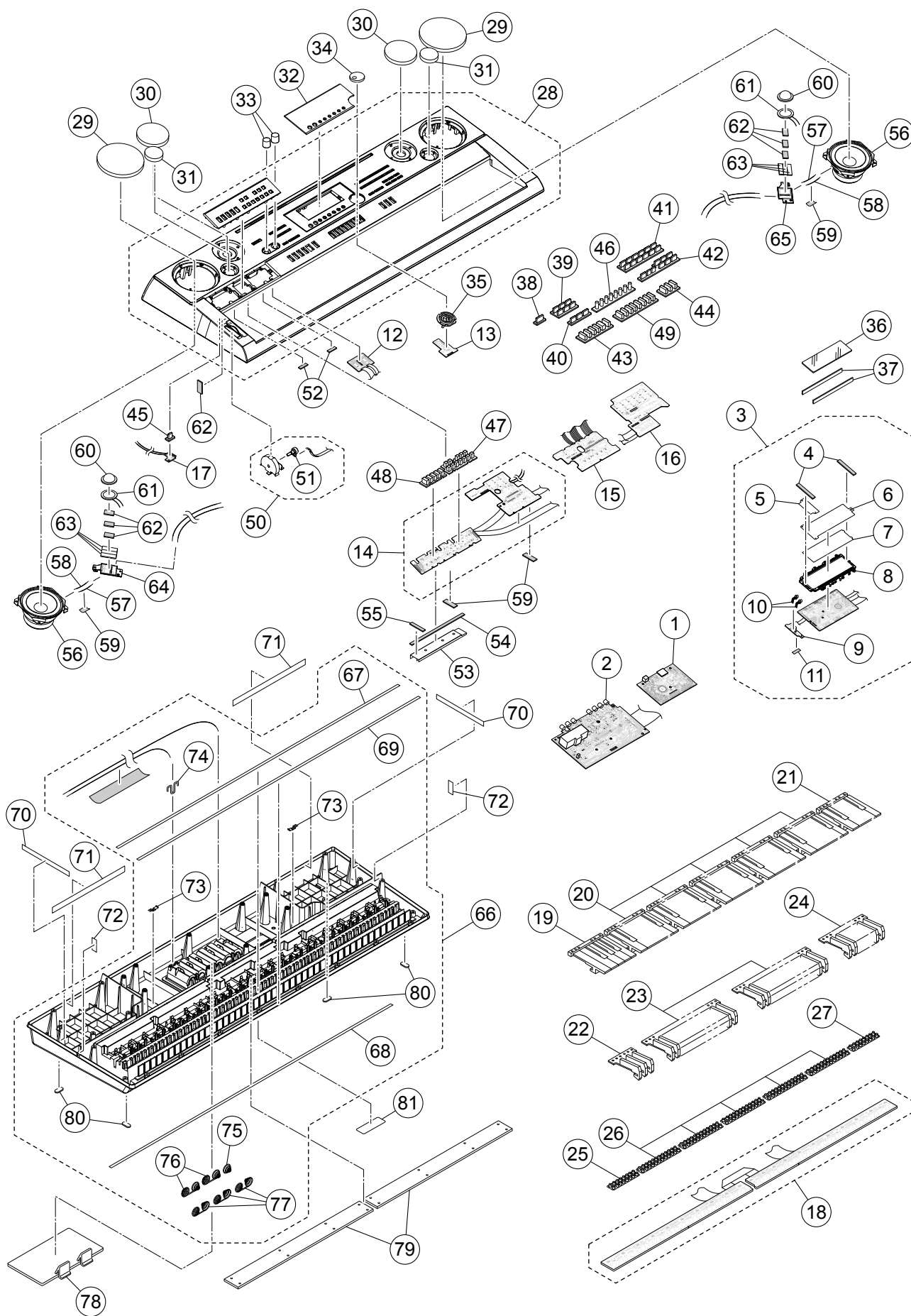
Keyboard PCB: M709-KYA1



Keyboard PCB: M709-KYA2



EXPLODED VIEW



PARTS LIST

AT-5

Notes:

1. Prices and specifications are subject to change without prior notice.
2. Refer to the latest “Parts Price Code” at “PARTS FINDER” on the Casio Service WEB site (<https://www.servicecasio.com>).
3. As for spare parts order and supply, refer to the “GUIDEBOOK for Spare parts Supply”, published separately.
4. The numbers in item column correspond to the same numbers in drawing.

- 1: AT-5_DI
 2: AT-5_EU
 3: AT-5_UK
 4: AT-5_US

N	Item	Code No.	Parts Name	Specification	Q'ty				Price Code	R	Remarks
					1	2	3	4			
MAIN PCB											
N	1	10380928	PCB UNIT / MDA1	TK-RJM510918*001	1	1	1	1		A	MDA1 PCB
	CN7	10236624	CONNECTOR	UBR24-4K5G00	1	1	1	1		C	USB PORT
	CN12	10375067	CONNECTOR	SDK9BNSK13GNTBLFS4	1	1	1	1		X	SD CARD SLOT
	D1-D5	10276977	DIODE	L1SS400T1G	5	5	5	5		X	
	D8-D10	10346940	DIODE	NNCD6.8RL-T1-AT	3	3	3	3		X	
	IC5	10211950	IC	NJM2068M-D(TE1)	1	1	1	1		X	
	IC12	10226394	IC	TC74VHC08FT(EL.K)	1	1	1	1		X	
	IC4	10197809	IC	TC7WH123FU(TE12L.F	1	1	1	1		X	
	IC6	10375074	IC	XC6404FY52PR-G	1	1	1	1		X	
	IC2	10375075	IC	XC6701D332PR-G	1	1	1	1		X	
	IC9	10256784	LSI / MEMORY	CY62146EV30LL45ZST	1	1	1	1		C	
	IC11	10371417	LSI / MEMORY	S29PL127J60TFH130H	1	1	1	1		C	
	IC1	10371415	LSI / MEMORY	MR27T12802L16ATA3A	1	1	1	1		C	
	L11	10193074	COIL	DLW21HN181SQ2L	1	1	1	1		X	
	Q2	10375028	TRANSISTOR	KTA1532U-RTK/P	1	1	1	1		X	
	Q3	10202670	TRANSISTOR	KTA2014-GR-RTK/P	1	1	1	1		X	
	Q1	10207675	TRANSISTOR	KTC4075-GR-RTK/P	1	1	1	1		X	
	X1	10375016	RESONATOR	7V48080006	1	1	1	1		X	
POWER AMP PCB											
N	2	10377475	PCB UNIT / POWER AMP	TK-RJM510796*001	1	1	1	1		B	PSA1 PCB
	IC4	10375029	IC	LA5756-MDB-E	1	1	1	1		C	
	IC1	10306512	IC	TDA7297	1	1	1	1		X	
	J1,J7	10206815	JACK / LINE OUT etc	JY-6314*01-030	2	2	2	2		B	LINE OUT L/MONO, ASSIGNABLE
	J2,J3,J9	10206816	JACK / LINE OUT etc	JY-6314*01-130	3	3	3	3		B	LINE OUT R, MIC IN, INST IN
	J6	10305218	JACK / PHONE	JY-6316B*01-070	1	1	1	1		B	PHONES
	J4	10334294	JACK / DC	KM02022ABMP	1	1	1	1		A	DC
	J5	10305131	JACK / AUDIO IN	ST-3529B	1	1	1	1		B	AUDIO IN
	L6,L7	10231919	COIL	RB53-856396NP	2	2	2	2		X	
	L1-L5,L8, L9,L11	10231920	COIL	RB53-856397NP	8	8	8	8		X	
	L20	10232457	COIL	RII7-860400NP	1	1	1	1		X	
	D1,D10	10371167	DIODE	L1SS355T1G	2	2	2	2		X	
	D2,D3	10308381	DIODE	LUZS7.5BT1G	2	2	2	2		X	
	D20	10210387	DIODE	RSX101VA-30TR	1	1	1	1		X	
	D8,D9	10294394	DIODE	SK34A	2	2	2	2		X	
	IC3	10306415	IC	BH3547F-E2	1	1	1	1		X	
	IC101, IC103-IC106	10211950	IC	NJM2068M-D(TE1)	5	5	5	5		X	
	Q6	22501176	TRANSISTOR	2SA1577T106R	1	1	1	1		X	
	Q1,Q4,Q5, Q8,Q11	10207675	TRANSISTOR	KTC4075-GR-RTK/P	5	5	5	5		X	
	Q2,Q3	10305853	TRANSISTOR	KTD1304-RTK/P	2	2	2	2		X	

- 1: AT-5_DI
 2: AT-5_EU
 3: AT-5_UK
 4: AT-5_US

N	Item	Code No.	Parts Name	Specification	Q'ty				Price Code	R	Remarks
					1	2	3	4			
CONSOLE PCB											
N	3	10380346	BACK LIGHT ASSY	TK-RJM510607*003	1	1	1	1		X	
	IC1	10333225	LSI	PD78F1153AGKSGAKAX	1	1	1	1		X	
	Q1	69409403	TRANSISTOR	2SA1576AT106R	1	1	1	1		X	
	Q2-Q5, Q24-Q26	10178530	TRANSISTOR	2SA1873-GR(TE85L.F	7	7	7	7		X	
	Q6-Q14, Q18-Q23	22592674	TRANSISTOR	DTC114YETL	15	15	15	15		X	
	Q15-Q17	10209027	TRANSISTOR	KTC4076-Y-RTK/P	3	3	3	3		X	
	4	10270485	SPONGE / 8X75	M441167-001V01	2	2	2	2		X	
	5	10131094	TOP PIECE	RJM502565-001V01	1	1	1	1		X	
	6	10250780	FILM	RJM507061-001V01	1	1	1	1		X	
	7	10248119	BACK LIGHT PLATE	RJM506818-001V01	1	1	1	1		X	
	8	10136032	REFLECTOR	RJM502577-001V02	1	1	1	1		X	
	9	10375094	PCB UNIT / CNA3	TK-RJM510692*001	1	1	1	1		X	CNA3 PCB
	D203-D204	10308381	DIODE	LUDZS7.5BT1G	2	2	2	2		X	
	10	10375069	LED	SLR343WBD2PT3	2	2	2	2		X	
	11	10048977	FABRIC TAPE / 4X10	M440684-2	1	1	1	1		X	
	12	10375099	PCB UNIT / PSA2	TK-RJM510655*001	1	1	1	1		C	PSA2 PCB
	VR2	10304718	VARIABLE RESISTOR	F-09KH1-CASIO-1	1	1	1	1		B	MIC VOLUME
	VR1	10123103	VARIABLE RESISTOR	RK09K12C0D1B	1	1	1	1		B	MAIN VOLUME
	13	10375092	PCB UNIT / PSA3	TK-RJM510645*001	1	1	1	1		C	PSA3 PCB
	E1	10174536	ENCODER	EC12E24204A2	1	1	1	1		B	ENCODER (DIAL)
N	14	10380929	PCB UNIT / CNA1	TK-RJM510882*002	1	1	1	1		X	CNA1, CNC1 PCBs
	D5,D9-D12	10371167	DIODE	L1SS355T1G	5	5	5	5		X	Parts of CNA1 PCB
	D1-D4,D6-D8	10336974	LED	26-21/R1	7	7	7	7		X	Parts of CNA1 PCB
	D2,D4,D6, D8,D9	10371167	DIODE	L1SS355T1G	5	5	5	5		X	parts of CNC1 PCB
	D11,D14,D17, D20,D23,D26	10301580	DIODE	LM1MA142WAT1G	6	6	6	6		X	parts of CNC1 PCB
	D1,D3,D5,D7, D10,D12,D13, D15,D16,D18, D19,D21,D22, D24,D25,D27	10336974	LED	26-21/R1	16	16	16	16		X	parts of CNC1 PCB
N	15	10380349	PCB UNIT / CNB1	TK-RJM510890*001	1	1	1	1		X	CNB1 PCB
	D2,D4-D6, D8-D10	10371167	DIODE	L1SS355T1G	7	7	7	7		X	
	D1,D3,D7, D11-D15	10336974	LED	26-21/R1	8	8	8	8		X	
N	16	10380930	PCB UNIT / CNA2	TK-RJM510887*002	1	1	1	1		X	CNA2 PCB
	D101-D112	10336974	LED	26-21/R1	12	12	12	12		X	
	17	10377479	PCB UNIT / CNA4	TK-RJM510811*002	1	1	1	1		X	CNA4 PCB
KEYBOARD PCB											
	18	10326145	PCB UNIT / KYA	TK-RJM508870*002	1	1	1	1		C	KYA PCBs
	D801-D952	23153132	DIODE	1SS133T-77	152	152	152	152		X	

- 1: AT-5_DI
 2: AT-5_EU
 3: AT-5_UK
 4: AT-5_US

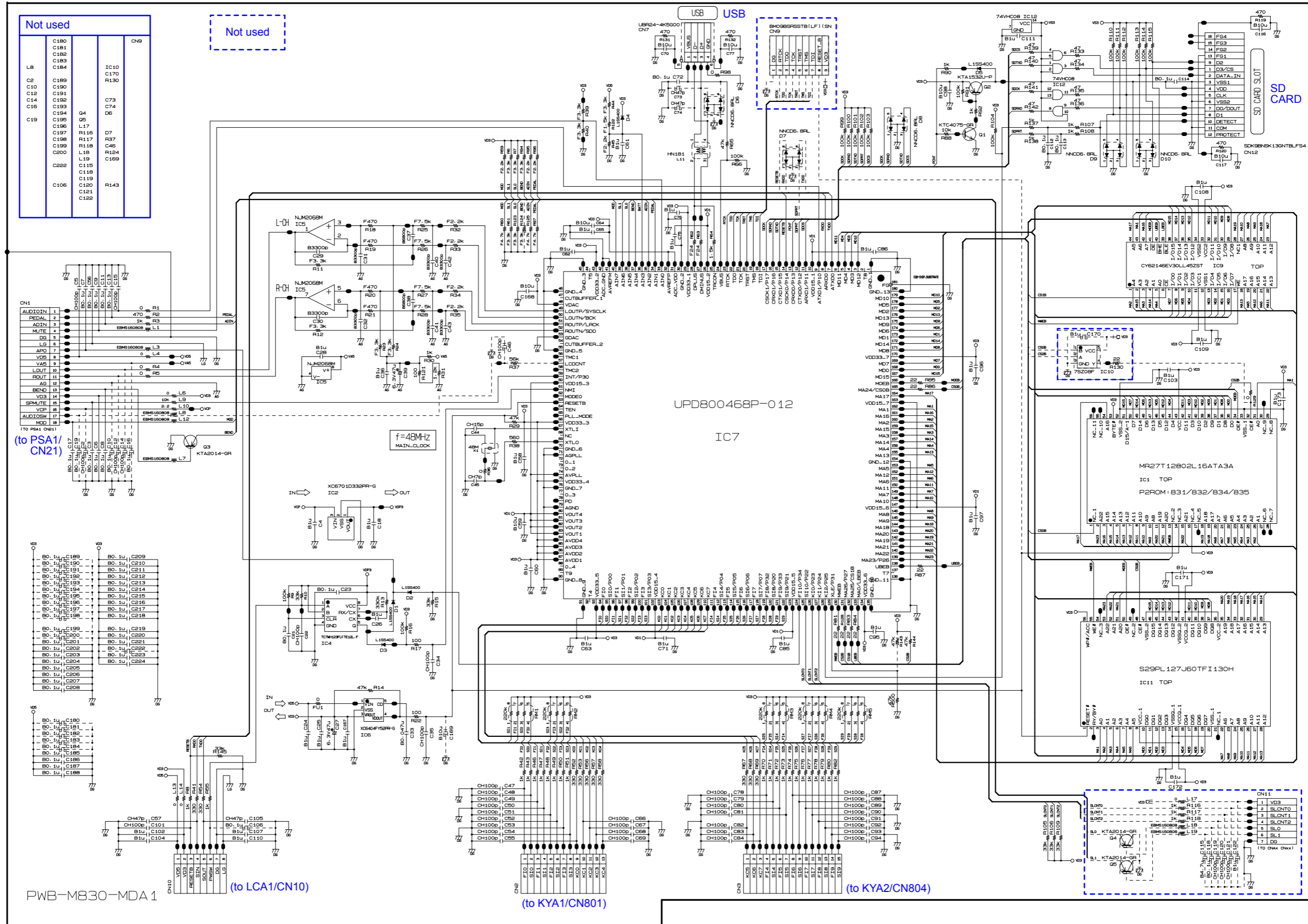
N	Item	Code No.	Parts Name	Specification	Q'ty				Price Code	R	Remarks
					1	2	3	4			
KEYBOARD											
	19	10271802	WHITE KEY / SEB	TK-RJM507652*001	1	1	1	1		B	
	20	10304687	WHITE KEY / CB	TK-RJM507243*002	5	5	5	5		A	
	21	10271783	WHITE KEY / CSG	TK-RJM507653*001	1	1	1	1		B	
	22	10274034	BLACK KEY / 3P	RJM506595-003V02	1	1	1	1		B	
	23	10274032	BLACK KEY / 10P	RJM506595-001V02	2	2	2	2		A	
	24	10274033	BLACK KEY / 8P	RJM506595-004V02	1	1	1	1		B	
	25	10269450	RUBBER CONTACT / SEB	RJM507649-001V01	1	1	1	1		B	
	26	10269451	RUBBER CONTACT / CB	RJM507656-001V01	5	5	5	5		A	
	27	10269449	RUBBER CONTACT / CSG	RJM507650-001V01	1	1	1	1		B	
UPPER CASE UNIT											
N	28	10380918	CASE SUB ASSY / UPPER	RJM510621*003V01	1	1	1	1		X	
N	29	10379839	SPEAKER COVER / for FULL RANGE	RJM510710*002V01	2	2	2	2		X	
N	30	10380920	SPEAKER COVER / for TWEETER	RJM510712*002V01	2	2	2	2		X	
N	31	10379927	SPEAKER COVER / for PORT	RJM510713*002V01	2	2	2	2		X	
N	32	10377488	DISPLAY PLATE	RJM510568-002V01	1	1	1	1		X	
N	33	10379921	KNOB / ROTARY	RJM502503-024V02	2	2	2	2		C	
N	34	10379831	KNOB / DIAL	RJM510590-002V01	1	1	1	1		X	
N	35	10379832	BEZEL / DIAL	RJM510591-003V01	1	1	1	1		X	
	36	10377681	LCD	SR012449DN	1	1	1	1		X	
	37	10203058	RUBBER CONNECTOR / for LCD	RJM505822-001V01	2	2	2	2		X	
N	38	10379820	RUBBER BUTTON / A	RJM510571-002V01	1	1	1	1		X	
N	39	10379821	RUBBER BUTTON / B	RJM510572-003V01	1	1	1	1		X	
N	40	10379822	RUBBER BUTTON / C	RJM510573-002V01	1	1	1	1		X	
N	41	10379823	RUBBER BUTTON / D	RJM510574-003V01	1	1	1	1		X	
N	42	10379824	RUBBER BUTTON / E	RJM510575-002V01	1	1	1	1		X	
N	43	10379825	RUBBER BUTTON / F	RJM510576-002V01	1	1	1	1		X	
N	44	10379826	RUBBER BUTTON / G	RJM510577-002V01	1	1	1	1		X	
N	45	10379827	RUBBER BUTTON / H	RJM510578-002V01	1	1	1	1		X	
N	46	10379828	RUBBER BUTTON / M	RJM510581-002V01	1	1	1	1		X	
N	47	10379829	RUBBER BUTTON / P	RJM510583-001V01	1	1	1	1		X	
N	48	10379830	RUBBER BUTTON / Q	RJM510584-001V01	1	1	1	1		X	
N	49	10379836	RUBBER BUTTON / K	RJM510733-002V01	1	1	1	1		X	
N	50	10380932	BEND WHEEL ASSY	TK-RJM507944*007	1	1	1	1		X	
	51	27651141	VARIABLE RESISTOR	RK1631110-50KB	1	1	1	1		X	
	52	69196290	FABRIC TAPE / 20X10	M411742-1	2	2	2	2		X	
	53	10375048	PLATE	RJM510589-001V01	1	1	1	1		X	
	54	10214574	PACKING / 10X223	RJM506391-001V01	1	1	1	1		X	
	55	10175759	PACKING / 10X75	RJM504745-001V01	1	1	1	1		X	
	56	10377383	SPEAKER	C12J10	2	2	2	2		X	
	57	10309844	WIRE	1007TASC24100R3030	2	2	2	2		X	for SPEAKER (+)
	58	10309843	WIRE	1007TASC24100K3030	2	2	2	2		X	for SPEAKER (-)
	59	10214402	SPONGE / 20X60	RJM506161-001V01	4	4	4	4		X	
	60	10309766	CAP	HM-2723CAP	2	2	2	2		X	
	61	10309765	BUZZER	HM-2720MYLAR	2	2	2	2		X	
	62	10321183	SPONGE / 10X25	M440349-001	7	7	7	7		X	
	63	10259884	PACKING / 12X40	M441333-001	6	6	6	6		X	
	64	10374016	PCB / CNA7	RJM510552-007	1	1	1	1		X	CNA7 PCB
	65	10374015	PCB / CNA6	RJM510552-006	1	1	1	1		X	CNA6 PCB

- 1: AT-5_DI
 2: AT-5_EU
 3: AT-5_UK
 4: AT-5_US

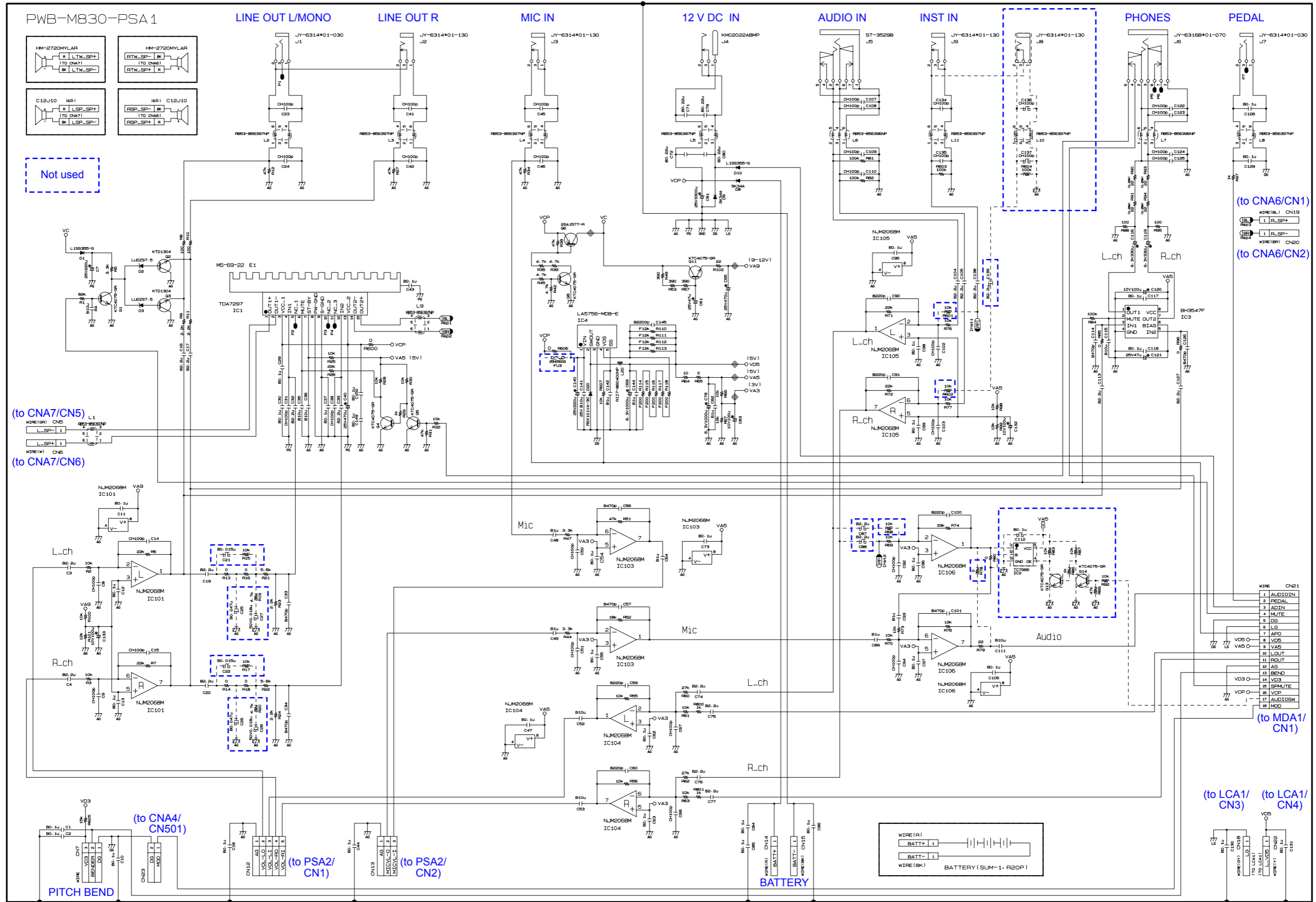
N	Item	Code No.	Parts Name	Specification	Q'ty				Price Code	R	Remarks
					1	2	3	4			
MAIN CASE UNIT											
N	66	10380931	CASE UNIT / MAIN	TK-RJM507844*004	1	1	1	1		X	
	67	10218751	FELT / LOWER LIMIT / KEYBOARD	M341580-001V02	1	1	1	1		X	for KEYBOARD
	68	10218752	FELT / UPPER LIMIT / KEYBOARD	M440192-001V02	1	1	1	1		X	for KEYBOARD
	69	10307121	FELT / DAMPER / KEYBOARD	RJM507744-002V01	1	1	1	1		X	for KEYBOARD
	70	10138683	FABRIC TAPE / 15X175	RJM503568-001V01	2	2	2	2		X	
	71	10334298	FABRIC TAPE / 15X270	M411937-001V01	2	2	2	2		X	
	72	10259884	PACKING / 12X40	M441333-001V01	2	2	2	2		X	
	73	10284332	BRACKET / for STAND	M440866-001V02	2	2	2	2		X	
	74	10263726	BATTERY TERMINAL / +	M441101-001V02	1	1	1	1		X	
	75	10263727	BATTERY TERMINAL / -	M441102-001V02	1	1	1	1		X	
	76	10263724	BATTERY TERMINAL / A	M441099-001V02	2	2	2	2		X	
	77	10263725	BATTERY TERMINAL / B	M441100-001V02	3	3	3	3		X	
N	78	10380933	BATTERY LID	TK-M341288*011	1	1	1	1		X	
	79	10269409	LOWER COVER	RJM507741-001V01	2	2	2	2		X	
	80	69307208	RUBBER FOOT	M441160-1	4	4	4	4		X	
N	81	10380916	LABEL / RATING	RJM504373-046V02	1	1	1	1		X	
ACCESSORIES											
	-	10327285	MUSIC STAND	M141071-009V01	1	1	1	1		C	
	-	10370278	AC ADAPTOR	AD-A12150LW-F2C	1	1	1	1		B	without AC CORD
	-	10361066	AC CORD	UC2LT-M006A				1		X	for US
	-	10361067	AC CORD	EC2LT-M002A	1	1				X	for EU
	-	10361070	AC CORD	BC2LT-M002A	1		1			X	for UK

SCHEMATIC DIAGRAMS

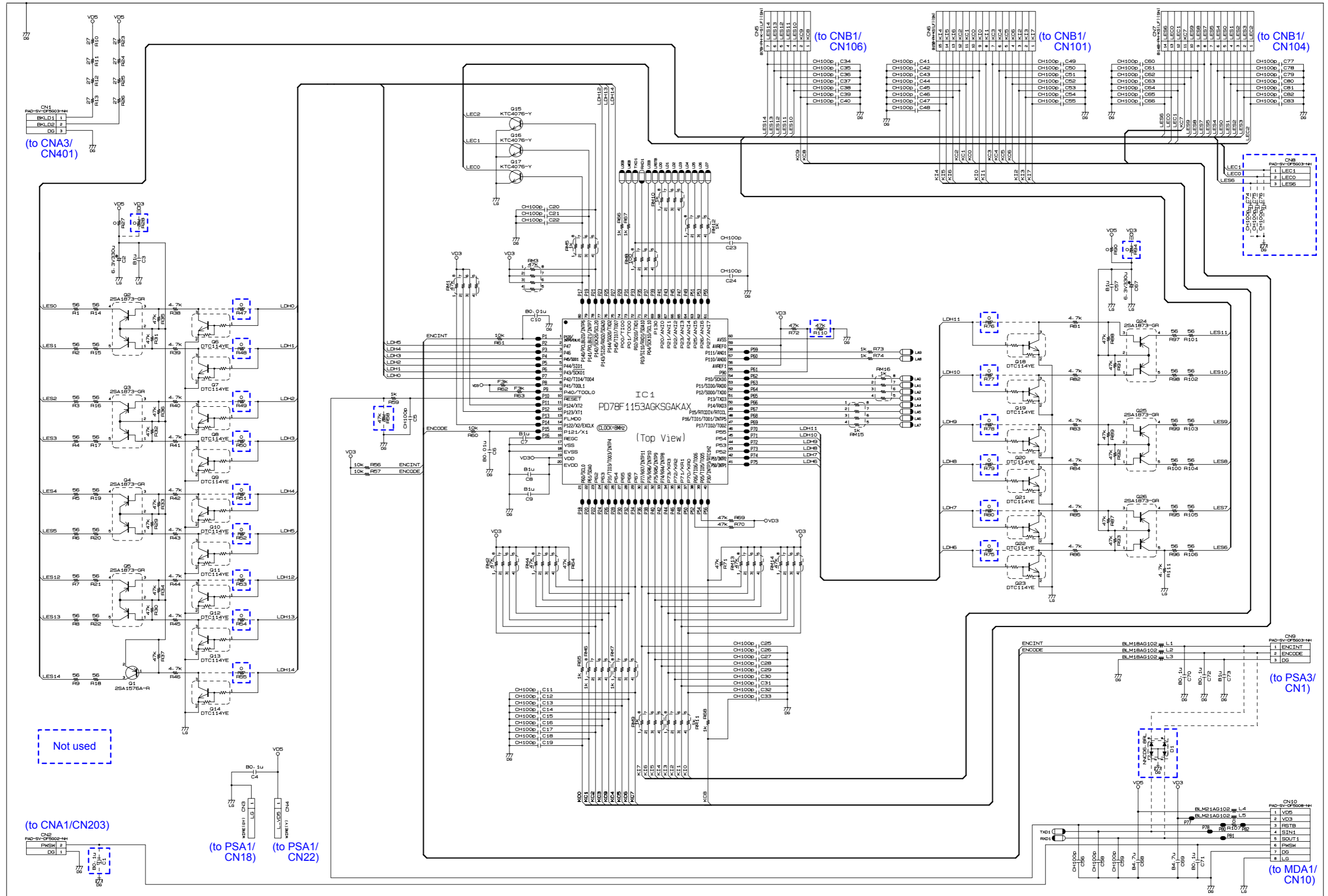
Main PCB: M830-MDA1



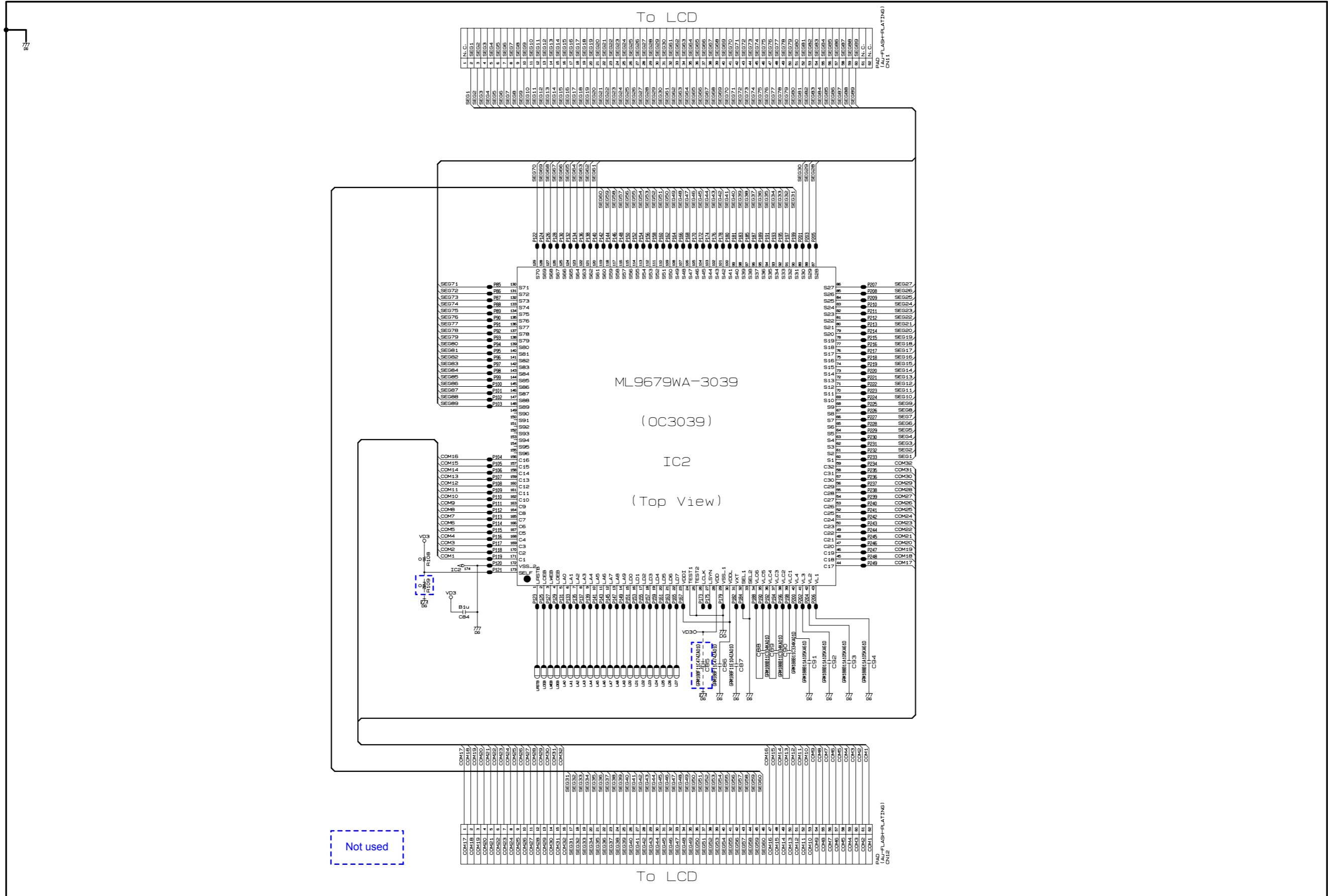
Power Amp PCB: M830-PSA1



Sub PCB: M830-LCA1 (1/2)

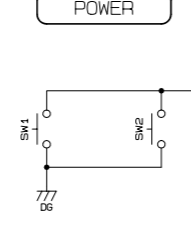


Sub PCB: M830-LCA1 (2/2)



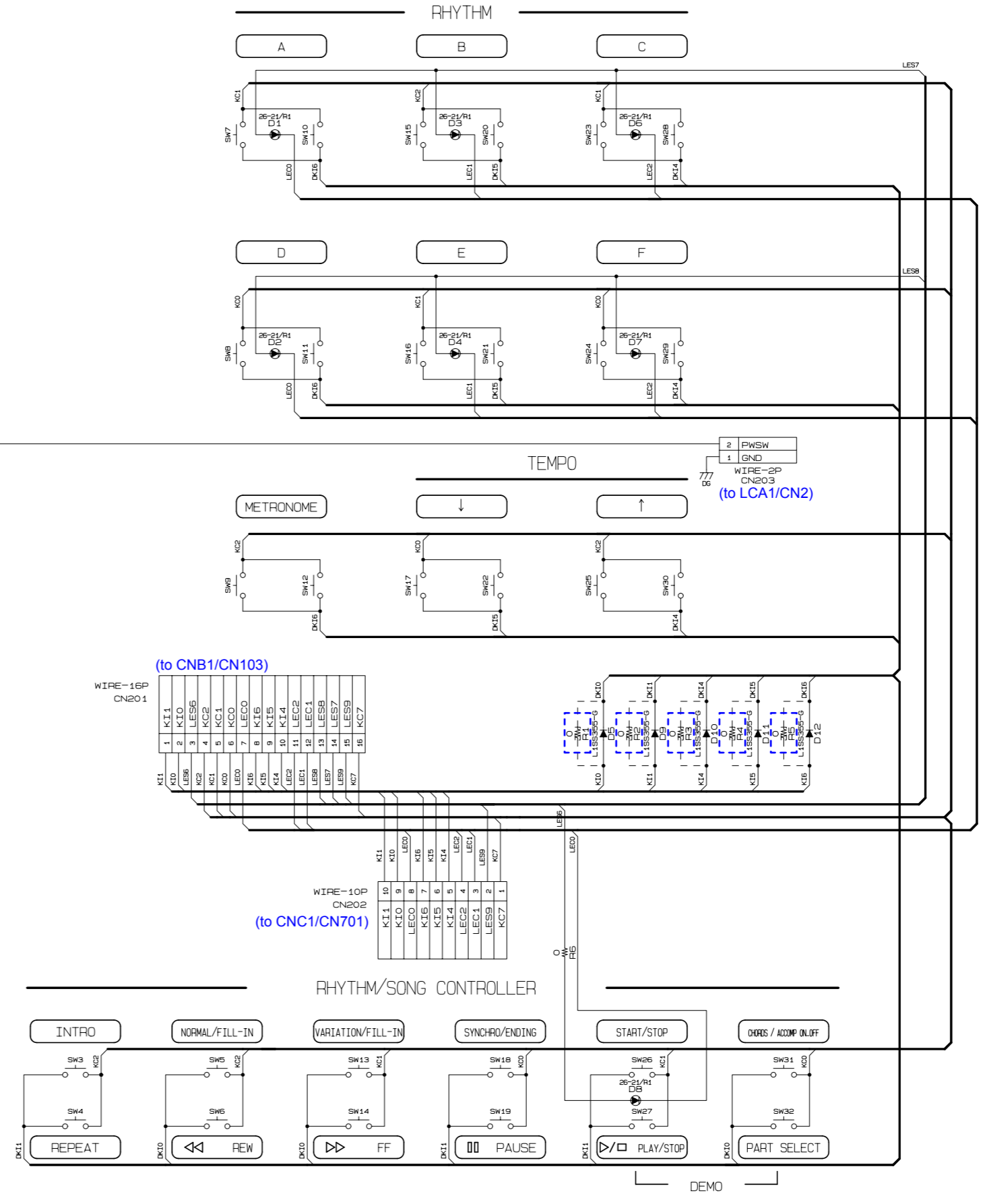
Console PCB: M830-CNA1

POWER SWITCH

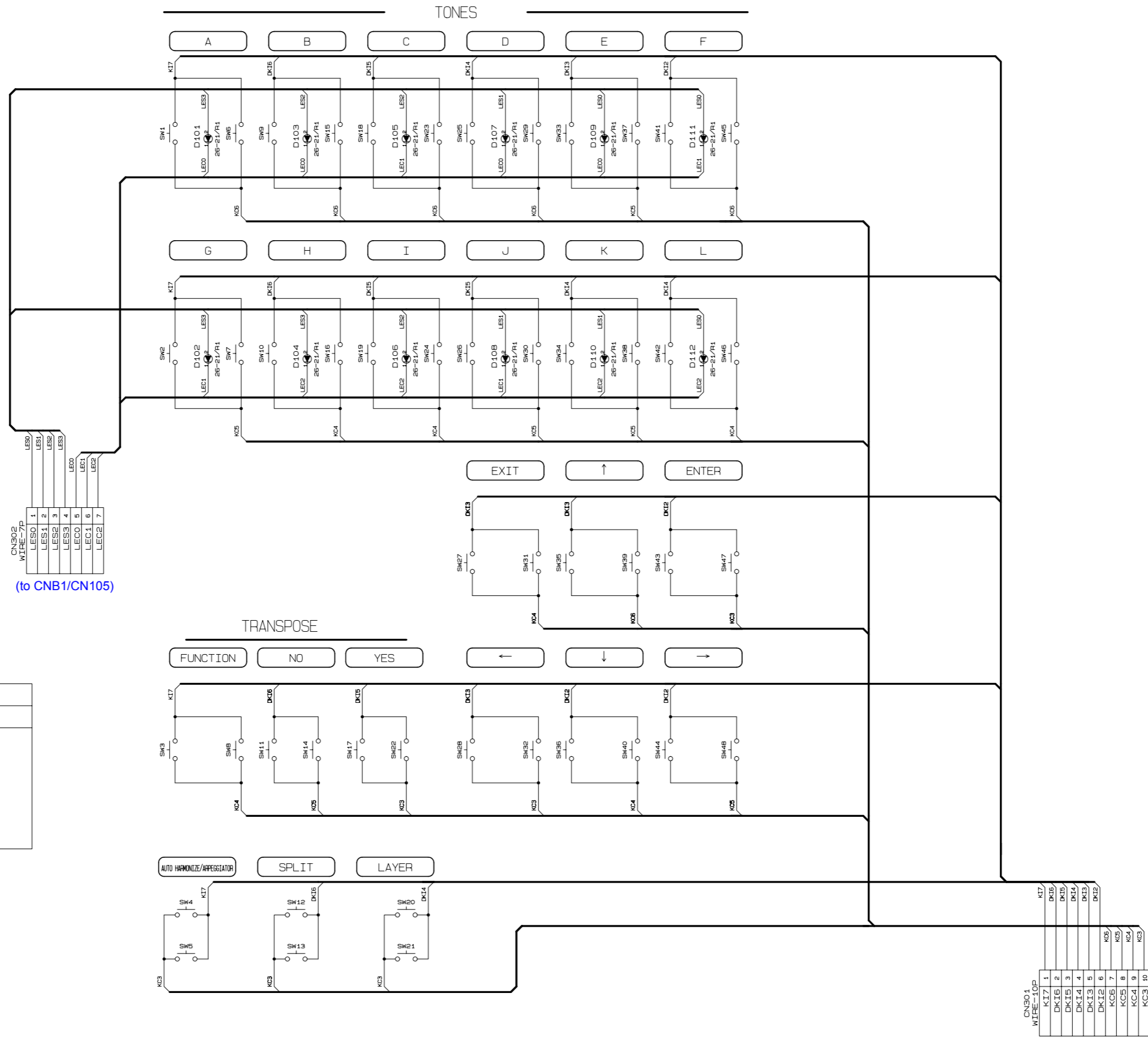


Not used

JUMPER RESISTOR	
3216 SIZE	1608 SIZE
R101 0 -W	R104 0 -W
R102 0 -W	R105 0 -W
R103 0 -W	



Console PCB: M830-CNA2

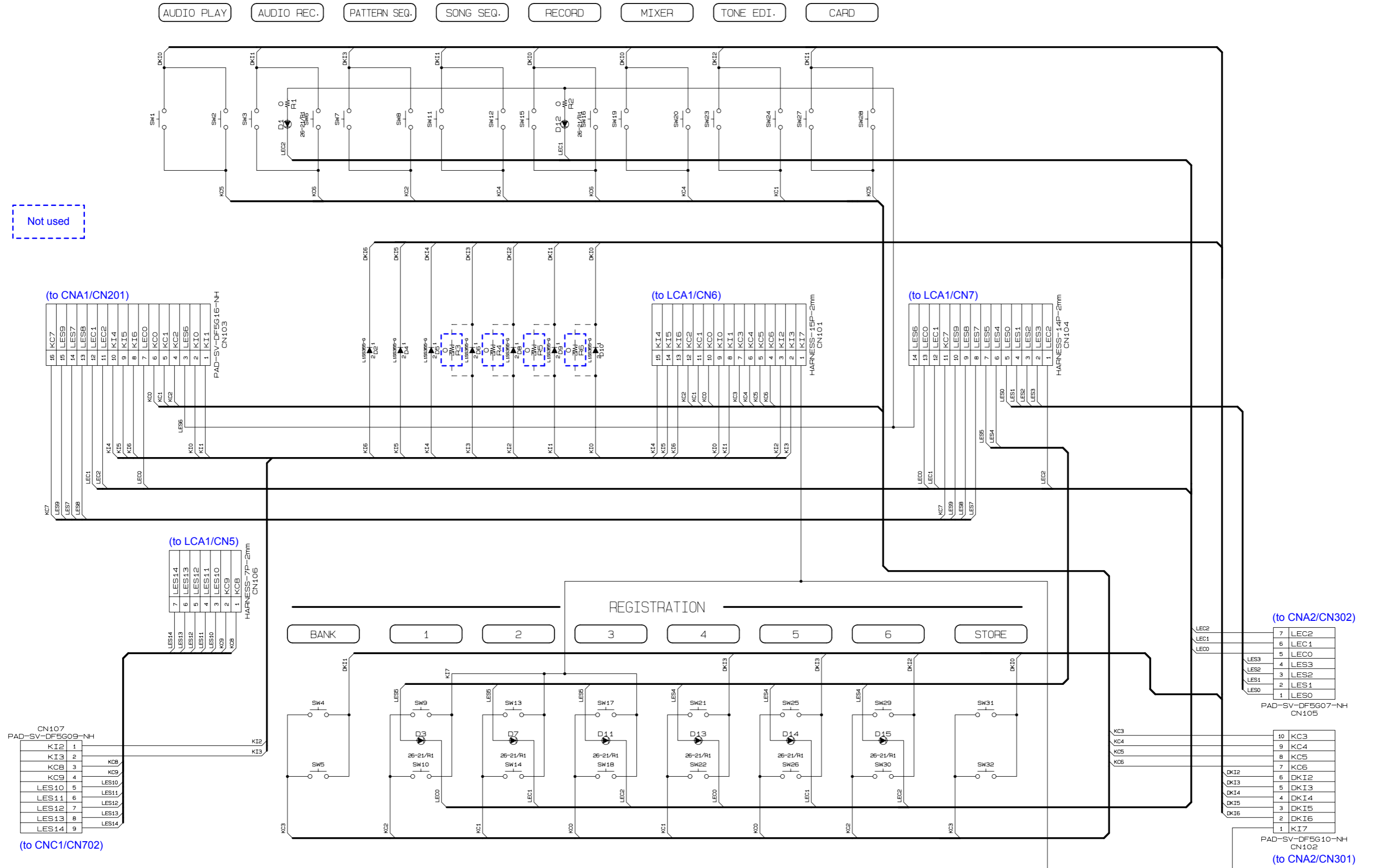


(to CNB1/CN105)

(to CNB1/CN102)

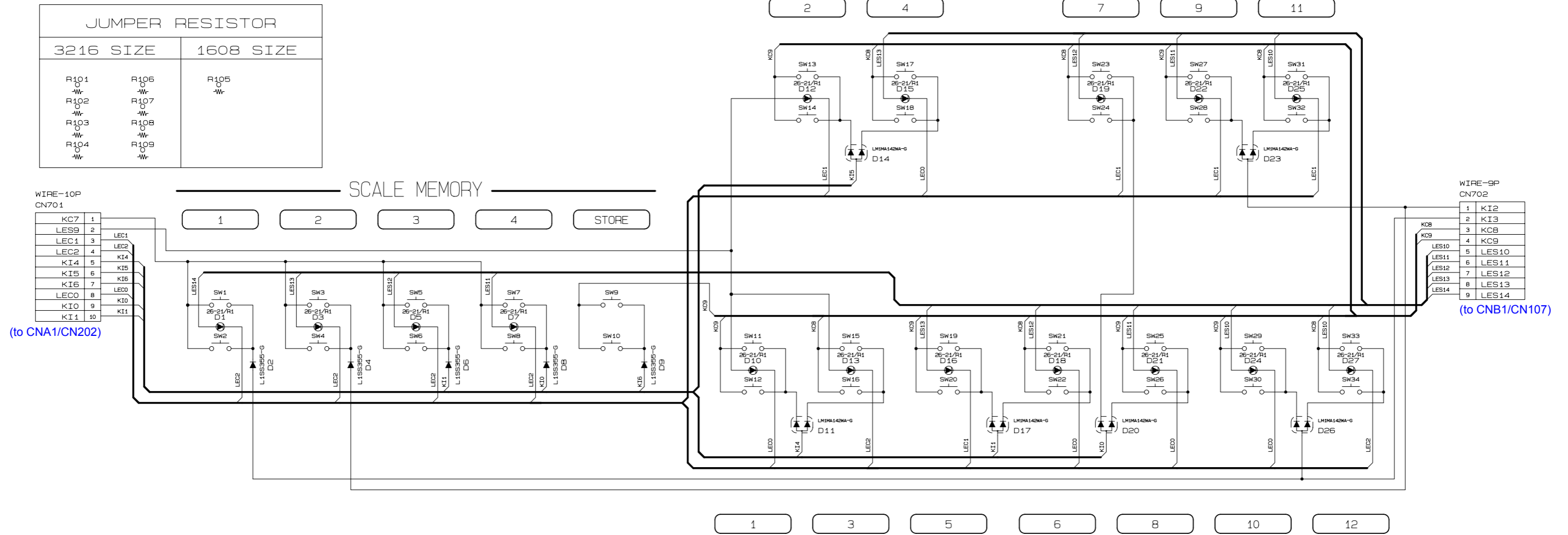
JUMPER RESISTOR	
3216 SIZE	1608 SIZE
R106 W	R110 W
R109 W	
R107 W	R111 W
R108 W	

Console PCB: M831-CNB1

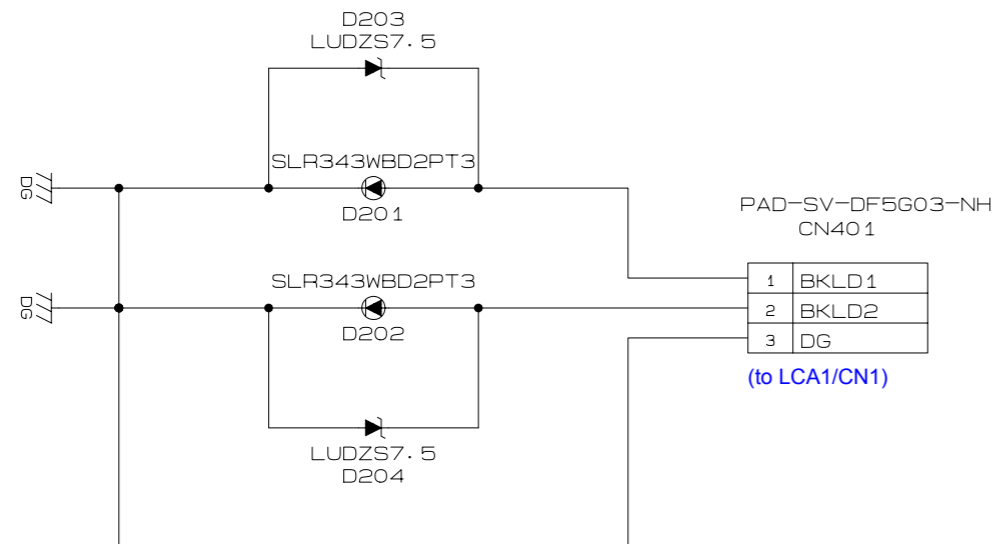


Console PCB: M832-CNC1

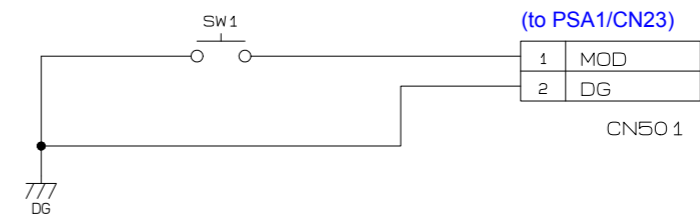
ORIENTAL SCALE



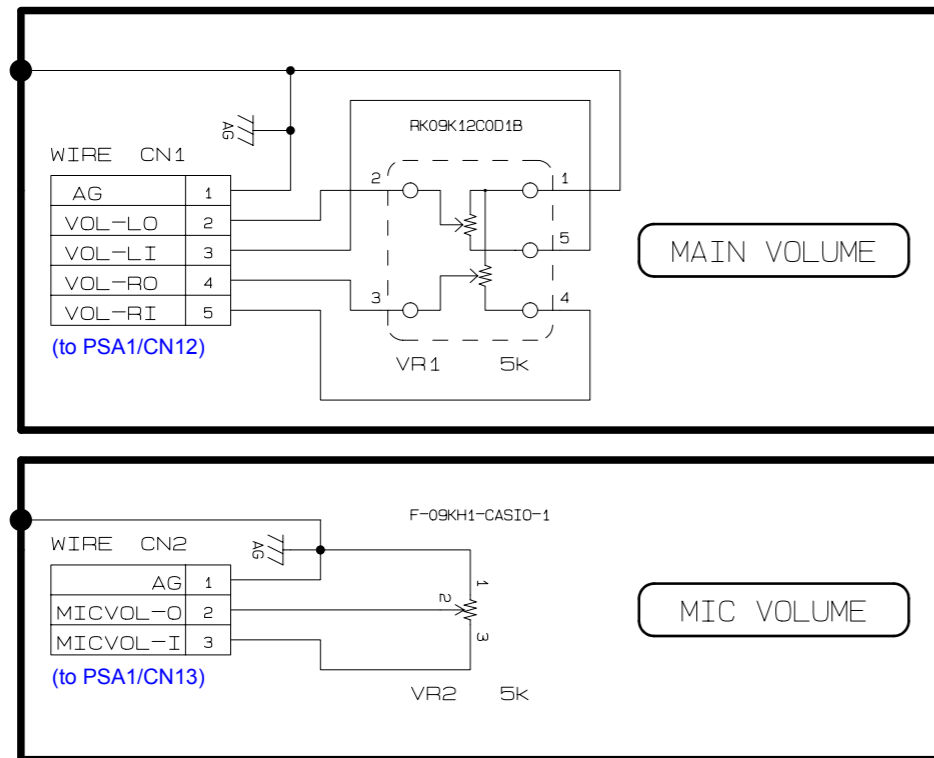
Backlight PCB: M830-CNA3



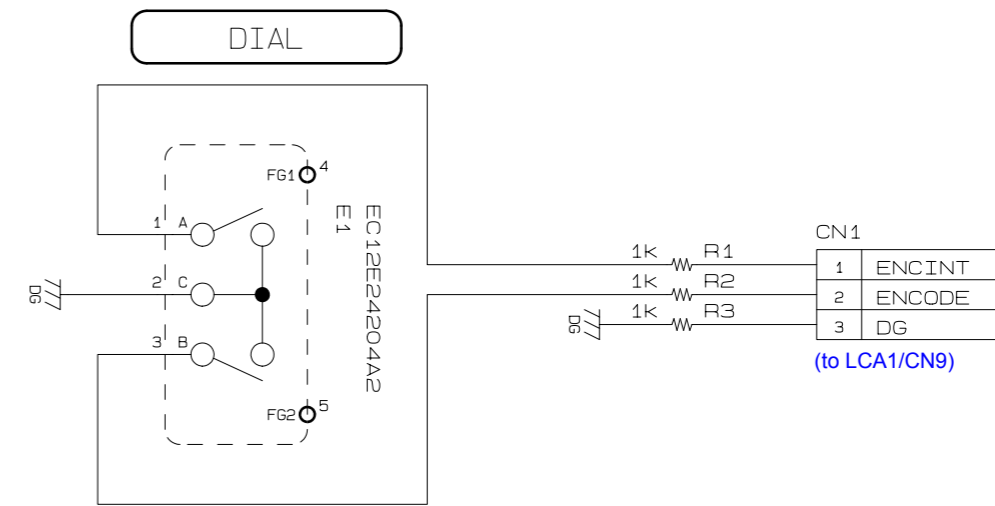
Modulation PCB: M830-CNA4



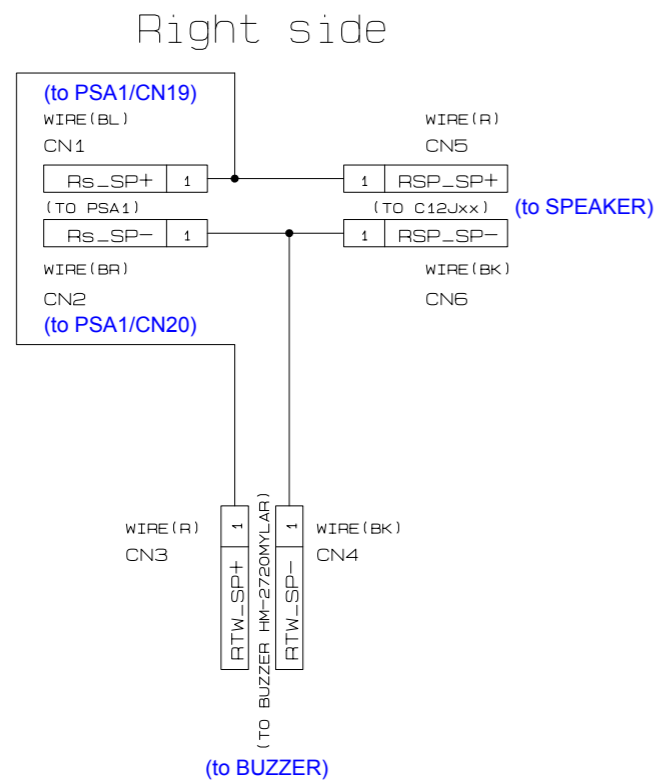
Volume PCB: M830-PSA2



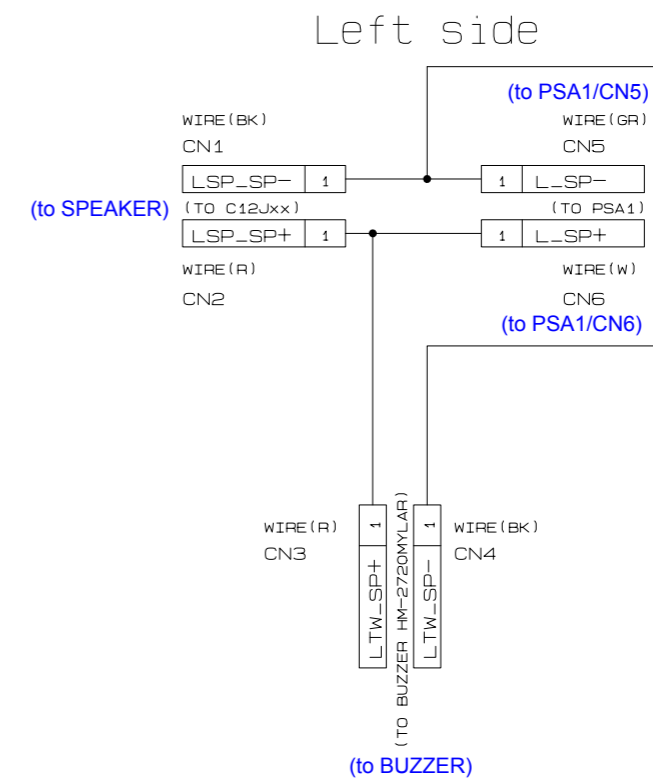
Dial PCB: M830-PSA3



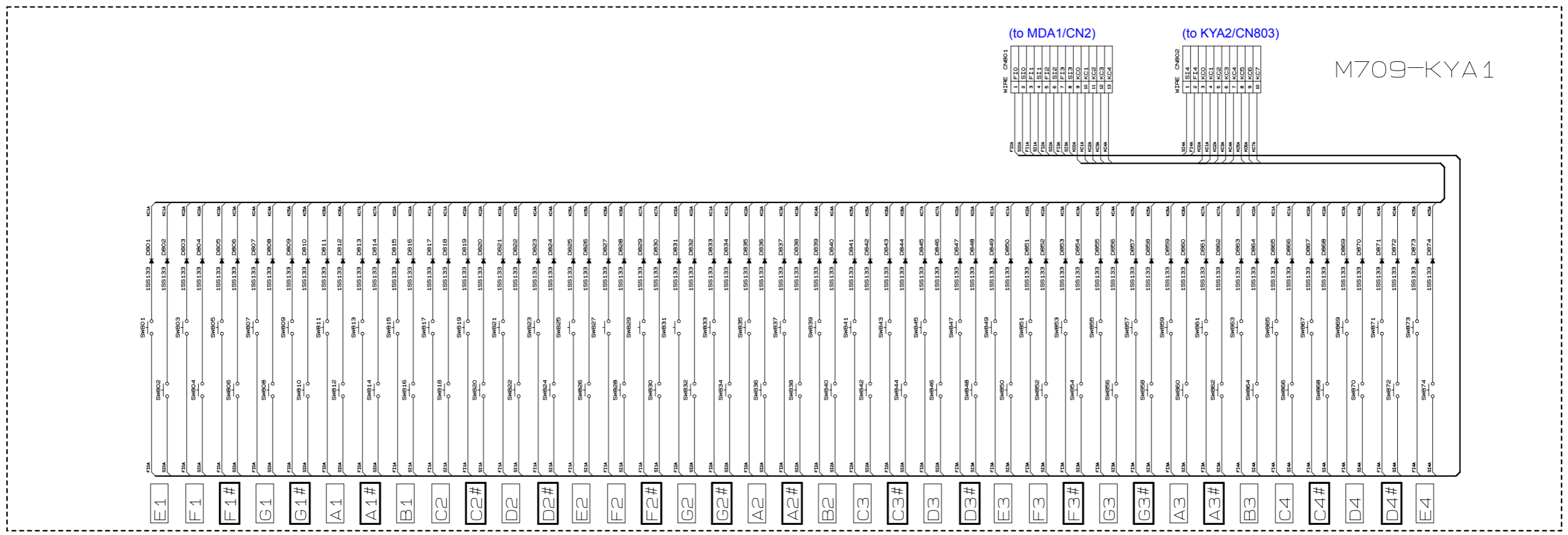
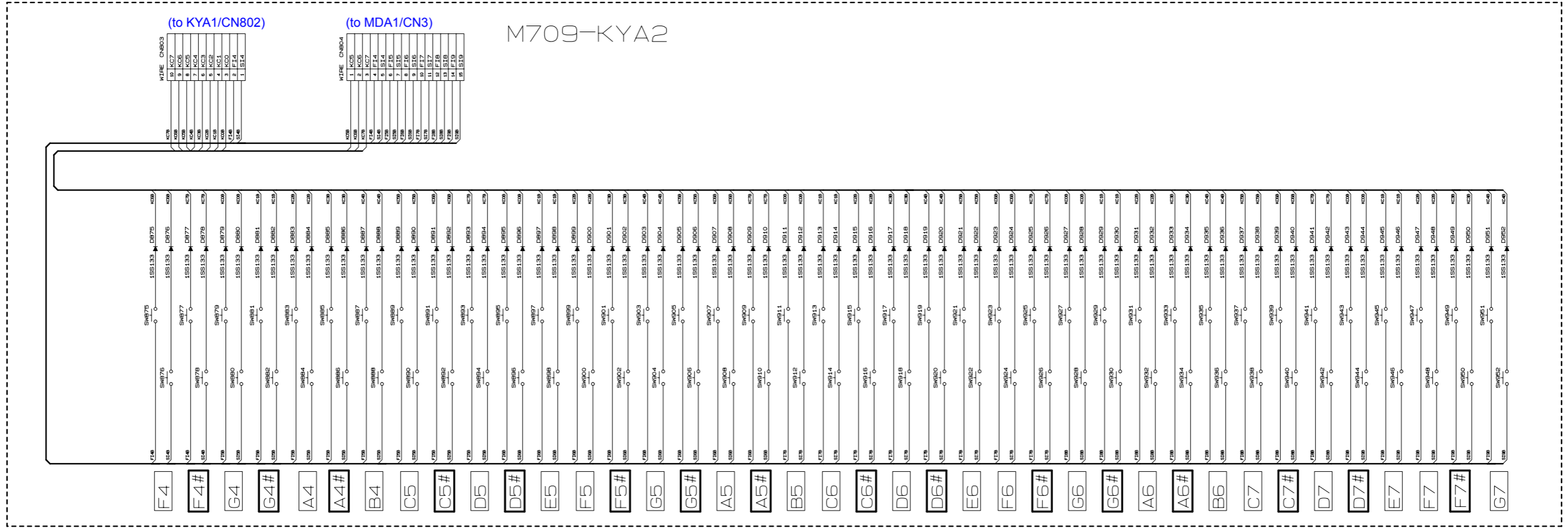
Speaker PCB: M830-CNA6



Speaker PCB: M830-CNA7



Keyboard PCB: M709-KYA1/KYA2



CASIO COMPUTER CO.,LTD.

Overseas Service Division

6-2, Hon-machi 1-Chome
Shibuya-ku, Tokyo 151-8543, Japan